

# Product Document

# TMF8701

## Time-of-Flight Sensor

### General Description

The TMF8701 is a true direct time-of-flight (ToF) sensor system in a single modular package which offers highly accurate depth accuracy detection through a sub-nanosecond light pulse and an antialiasing “stop-watch” method to measure round-trip time of pulse. It provides single zone detection of an object irrespective of the color, reflectivity and texture of the object. The single module with VCSEL emitter offers high dynamic range and operates in either a proximity mode (0 – 10 cm) or a ranging mode (10 – 60 cm) for detection sensing. The device utilizes highly sensitive SPAD detection with fast compact time-to digital converters to make high accurate distance measurement within  $\pm 5\%$  and is capable of operation in dark environments. A built-in histogram is featured to detect cover glass and objects behind glass to select object with highest SNR while compensating for dirt and smudges on cover glass to produce artifact free measurement of multiple objects. The histogram enables greater distance between cover glass, delivers dynamic cover glass calibration and crosstalk compensation. Class 1 eye safety is also featured through the narrow sub-nanosecond (<500 ps) fast pulse 940 nm VCSEL driver. Background light noise is minimized through on-chip superior sunlight rejection filter. Data output is through a 1.8V I<sup>2</sup>C fast-mode communications interface and an integrated micro controller is featured with all algorithms included on-chip with no need for external optics.

### Key Benefits & Features

The benefits and features of TMF8701, Time-of-Flight Sensor are listed below:

**Figure 1:**  
Added Value of Using TMF8701

Benefits	Feature
<ul style="list-style-type: none"> <li>Modular package - 2.2mm x 3.6mm x 1.0mm</li> </ul>	<ul style="list-style-type: none"> <li>Small footprint fits in the mobile phone bezel</li> </ul>
<ul style="list-style-type: none"> <li>21° FOI</li> </ul>	<ul style="list-style-type: none"> <li>Detecting central closest objects</li> </ul>
<ul style="list-style-type: none"> <li>Time-to-Digital converter (TDC)</li> <li>Direct time-of-flight measurement</li> </ul>	<ul style="list-style-type: none"> <li>Within 5% of measurement (accuracy); no multi-path and no multiple object problems as for iToF</li> </ul>
<ul style="list-style-type: none"> <li>Single Photon Avalanche Photodiode (SPAD)</li> <li>Histogram based architecture</li> </ul>	<ul style="list-style-type: none"> <li>Better accuracy detects reliably closest object</li> <li>Min. distance 1mm (black target)</li> <li>Max. distance 60cm</li> </ul>
<ul style="list-style-type: none"> <li>Dynamic cover glass calibration</li> </ul>	<ul style="list-style-type: none"> <li>No complex calibration</li> </ul>
<ul style="list-style-type: none"> <li>Reliable operation under demanding use cases</li> </ul>	<ul style="list-style-type: none"> <li>Compensates for dirt on glass</li> </ul>

Benefits	Feature
<ul style="list-style-type: none"> <li>Reference SPAD</li> </ul>	<ul style="list-style-type: none"> <li>Improved accuracy over temperature and life</li> </ul>
<ul style="list-style-type: none"> <li>Distance and signal quality reported</li> </ul>	<ul style="list-style-type: none"> <li>Make better decisions</li> </ul>
<ul style="list-style-type: none"> <li>Fast VCSEL driver with protection</li> </ul>	<ul style="list-style-type: none"> <li>Class 1 Eye Safe</li> </ul>
<ul style="list-style-type: none"> <li>940µA power consumption at 10Hz (proximity mode)</li> <li>26mA power consumption at 60Hz operation (distance and proximity mode)</li> <li>0.26µA power-down current consumption (EN=0)</li> </ul>	<ul style="list-style-type: none"> <li>Longer battery life</li> </ul>

## Applications

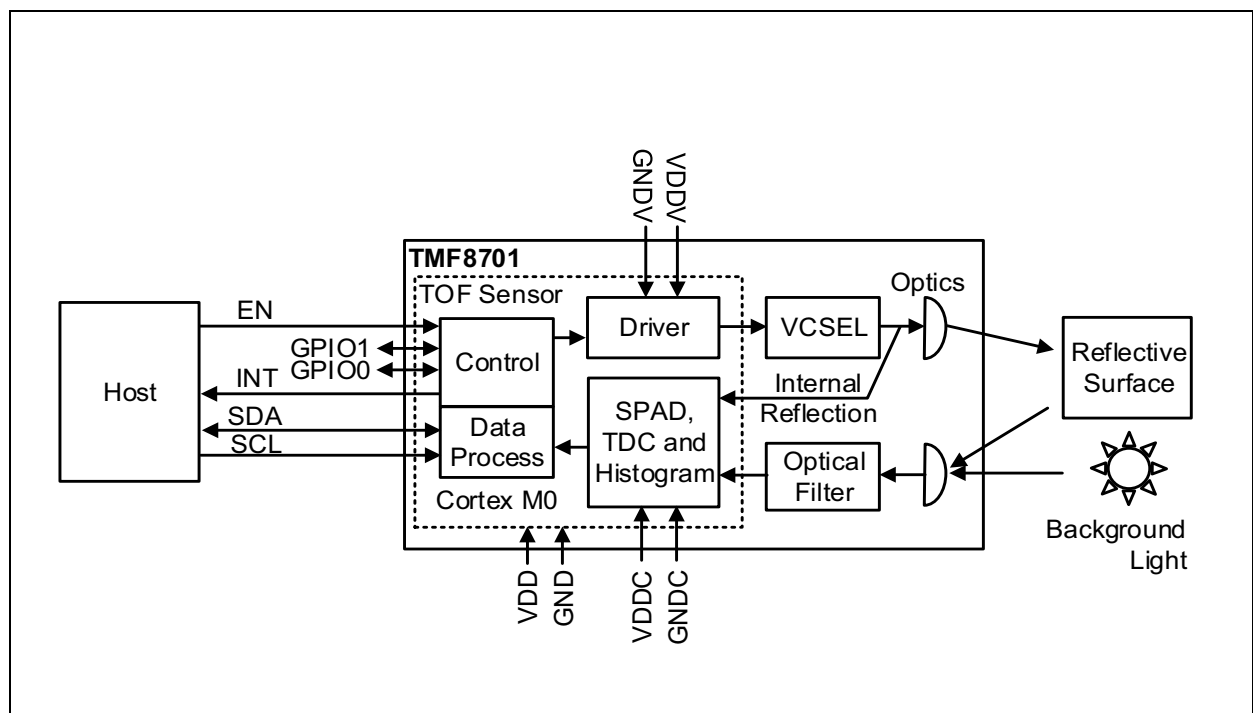
The device is ideal for use in the mobile phone market with applications including:

- Distance measurement for camera autofocus (Laser Detect Autofocus - LDAF)
- Supporting low-power system operation by enabling high-power components (i.e. 3D facial recognition) only when an object is in the detection range
- Proximity detection
- Presence detection - Object detection
- Collision avoidance

## Block Diagram

The functional blocks of this device are shown below:

Figure 2:  
TMF8701 Block Diagram



## Copyrights & Disclaimer

Copyright ams AG, Tobelbader Strasse 30, 8141 Premstaetten, Austria-Europe. Trademarks Registered. All rights reserved. The material herein may not be reproduced, adapted, merged, translated, stored, or used without the prior written consent of the copyright owner.

Devices sold by ams AG are covered by the warranty and patent indemnification provisions appearing in its General Terms of Trade. ams AG makes no warranty, express, statutory, implied, or by description regarding the information set forth herein. ams AG reserves the right to change specifications and prices at any time and without notice. Therefore, prior to designing this product into a system, it is necessary to check with ams AG for current information. This product is intended for use in commercial applications. Applications requiring extended temperature range, unusual environmental requirements, or high reliability applications, such as military, medical life-support or life-sustaining equipment are specifically not recommended without additional processing by ams AG for each application. This product is provided by ams AG “AS IS” and any express or implied warranties, including, but not limited to the implied warranties of merchantability and fitness for a particular purpose are disclaimed.

ams AG shall not be liable to recipient or any third party for any damages, including but not limited to personal injury, property damage, loss of profits, loss of use, interruption of business or indirect, special, incidental or consequential damages, of any kind, in connection with or arising out of the furnishing, performance or use of the technical data herein. No obligation or liability to recipient or any third party shall arise or flow out of ams AG rendering of technical or other services.

## Contact Information

Buy our products or get free samples online at:

[www.ams.com/Products](http://www.ams.com/Products)

Technical Support is available at:

[www.ams.com/Technical-Support](http://www.ams.com/Technical-Support)

Provide feedback about this document at:

[www.ams.com/Document-Feedback](http://www.ams.com/Document-Feedback)

For further information and requests, e-mail us at:

[ams\\_sales@ams.com](mailto:ams_sales@ams.com)

For sales offices, distributors and representatives, please visit:

[www.ams.com/Contact](http://www.ams.com/Contact)

### Headquarters

ams AG  
Tobelbader Strasse 30  
8141 Premstaetten  
Austria, Europe

Tel: +43 (0) 3136 500 0

Website: [www.ams.com](http://www.ams.com)