

Product Document



Errata Sheet

AS72651

**Errata Document of Datasheet Version
1-03 or later in combination with firmware
Version V1.2.7 or later**

Content Guide

1.	Deviation 1: AT commands page 50 figure 51	3
2.	Deviation 2: AT commands page 50 figure 51	3
3.	Deviation 3: AT commands page 51 figure 51	3
4.	Deviation 4: AT commands page 51 figure. 51	4
5.	Deviation 5: AT commands page 51 figure. 51	4
6.	Deviation 6: Filter names in overview on page 3	5
7.	Deviation 7: Typical AS7265x 18-Channel Application Circuit, page 52	6
8.	Contact Information	8
9.	Copyrights & Disclaimer	9

Issues have been identified which can affect performance and are described in this Errata Sheet.

1. Deviation 1: AT commands page 50 figure 51

Description: This functionality will not work and a not a valid AT Command for new firmware update

AT command ATLED0

Command	Response	Description and Parameters
ATLED0=<value>	OK	Sets AS72651 LED_IND: 100=ON,0=OFF(default value =0)
ATLED0	<100 0>OK	Reads AS72651 LED_IND setting: 100=ON, 0=OFF

Workaround:

This functionality cannot be implemented using the current firmware update and will be updated in the next firmware release 11Vx.x and later.

2. Deviation 2: AT commands page 50 figure 51

Description: This functionality will not work.

AT command ATLED4

Command	Response	Description and Parameters
ATLED4=<value>	OK	Sets AS72651 LED_IND: 100=ON,0=OFF(default value =0)
ATLED4	<100 0>OK	Reads AS72653 LED_IND setting: 100=ON, 0=OFF

Workaround:

This functionality cannot be implemented using the current firmware update and will be updated in the next firmware release 11Vx.x and later.

3. Deviation 3: AT commands page 51 figure 51

Description: This functionality will not work.

AT command ATLED5

Command	Response	Description and Parameters
ATLED5=<value>	OK	Sets AS72653 LED_DRV: 100=ON,0=OFF(default value =0)

Command	Response	Description and Parameters
ATLED5	<100 0>OK	Reads AS72653 LED_DRV setting: 100=ON, 0=OFF

Workaround

This functionality cannot be implemented using the current firmware update and will be updated in the next firmware release 11Vx.x and later.

4. Deviation 4: AT commands page 51 figure. 51

Description: Software reset functionality- ATRST is replaced by new command in new firmware update.

AT command ATRST

Command	Response	Description and Parameters
ATRST	None	Software Reset- no response

Workaround:

This functionality is cannot be implemented using the current firmware update and is replaced with a new command. ATRST replaced by ATSRST for the software reset.

5. Deviation 5: AT commands page 51 figure. 51

Description: This functionality will not work.

AT command ATINTRP

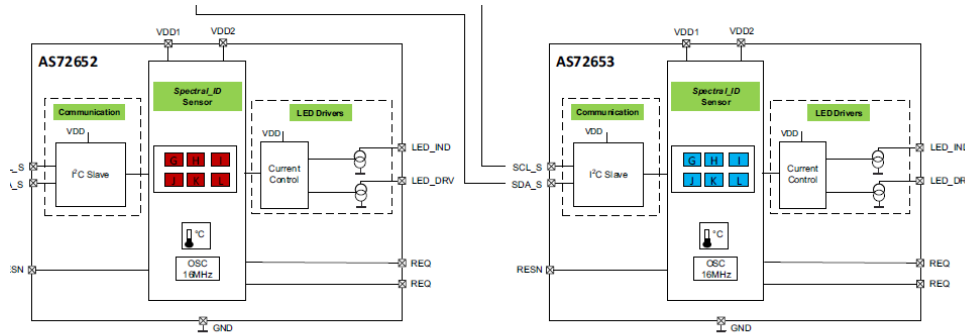
Command	Response	Description and Parameters
ATINTRP= <value>	OK	Enables AS72651 interrupt operation; 1=ON, 0=OFF
ATINTRP	<100 0>OK	Reads AS72651 Interrupt mode; 1=ON, 0=OFF

Workaround:

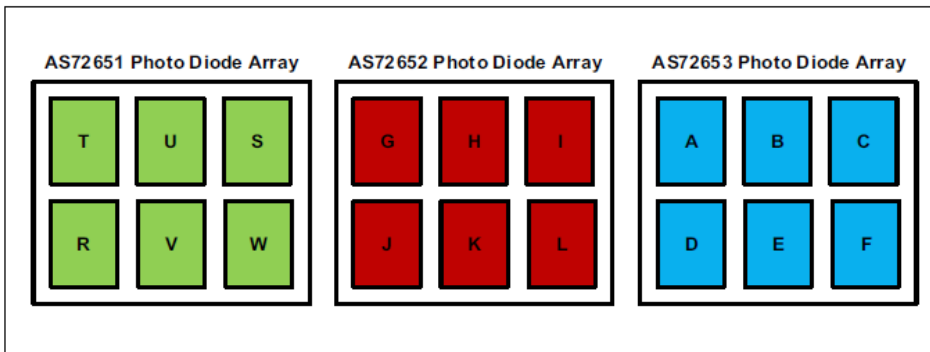
This functionality cannot be implemented using the current firmware update and will be updated in the next firmware release 11Vx.x and later.

6. Deviation 6: Filter names in overview on page 3

Description: Same used filter names for AS72652 and AS72653

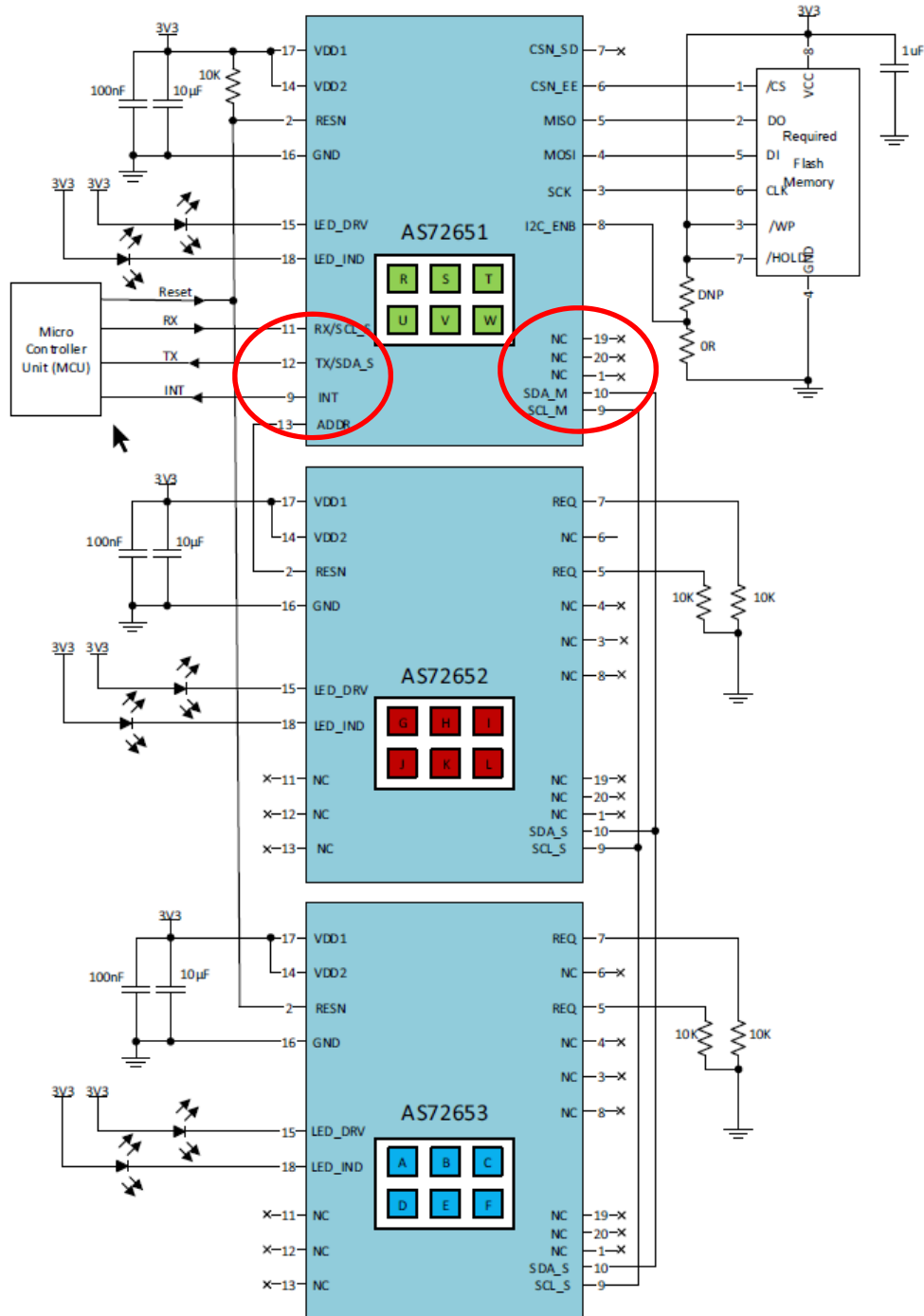


Workaround: Correction: the correct filter definition per AS7265x is listed here.

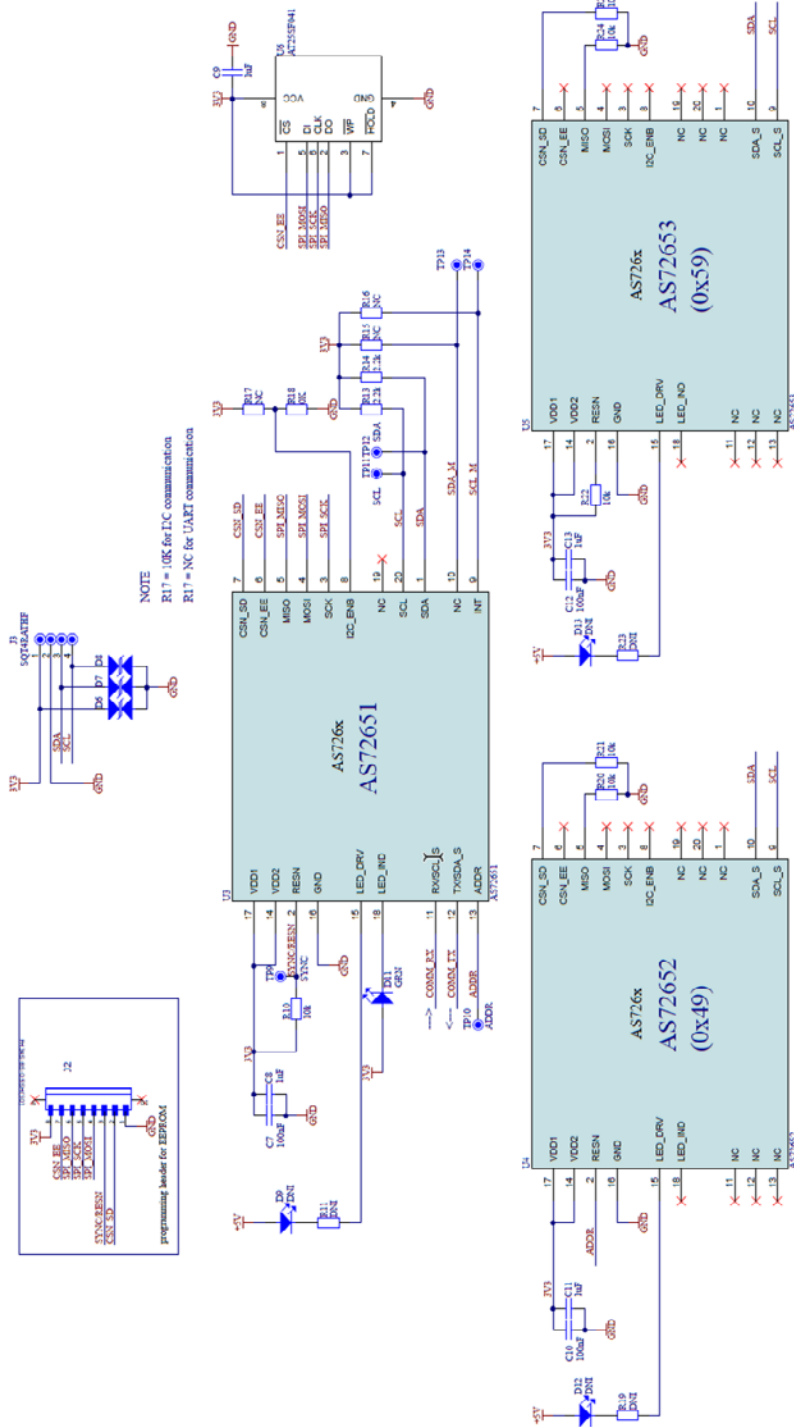


7. Deviation 7: Typical AS7265x 18-Channel Application Circuit, page 52

Description: failed names in pins or connections (INT, ADDR, SDA, SCL)



Workaround: Correction: see the schematic for the reference design [here](#).



8. Contact Information

For further information and requests, e-mail us at:

ams_sales@ams.com

For sales offices, distributors and representatives, please visit:

www.ams.com/contact

Headquarters

ams AG

Tobelbader Strasse 30

8141 Premstaetten

Austria, Europe

Tel: +43 (0) 3136 500 0

Website: www.ams.com

9. Copyrights & Disclaimer

Copyright ams AG, Tobelbader Strasse 30, 8141 Premstaetten, Austria-Europe. Trademarks Registered. All rights reserved. The material herein may not be reproduced, adapted, merged, translated, stored, or used without the prior written consent of the copyright owner.

Information in this document is believed to be accurate and reliable. However, ams AG does not give any representations or warranties, expressed or implied, as to the accuracy or completeness of such information and shall have no liability for the consequences of use of such information.

Applications that are described herein are for illustrative purposes only. ams AG makes no representation or warranty that such applications will be appropriate for the specified use without further testing or modification. ams AG takes no responsibility for the design, operation and testing of the applications and end-products as well as assistance with the applications or end-product designs when using ams AG products. ams AG is not liable for the suitability and fit of ams AG products in applications and end-products planned.

ams AG shall not be liable to recipient or any third party for any damages, including but not limited to personal injury, property damage, loss of profits, loss of use, interruption of business or indirect, special, incidental or consequential damages, of any kind, in connection with or arising out of the furnishing, performance or use of the technical data or applications described herein. No obligation or liability to recipient or any third party shall arise or flow out of ams AG rendering of technical or other services.

ams AG reserves the right to change information in this document at any time and without notice.