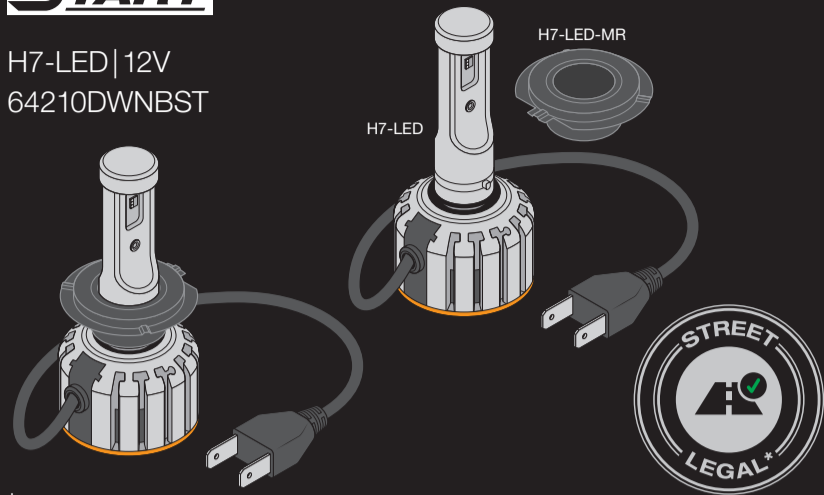


NIGHT BREAKER® LED

START

H7-LED | 12V
64210DWNBST



* Applies only to vehicle models and light functions on the current compatibility list and in the respective country. For more details see www.osram.com/nb-led. The images shown in user manual are for illustration purposes only and may not be an exact representation of the product. ¹⁾

NIGHT BREAKER® LED

START

H7-LED | 12V
64210DWNBST

<http://www.osram.com/am-installation>

For questions regarding maintenance or technical problems, please contact OSRAM customer service via automotive-service@osram.com¹⁾

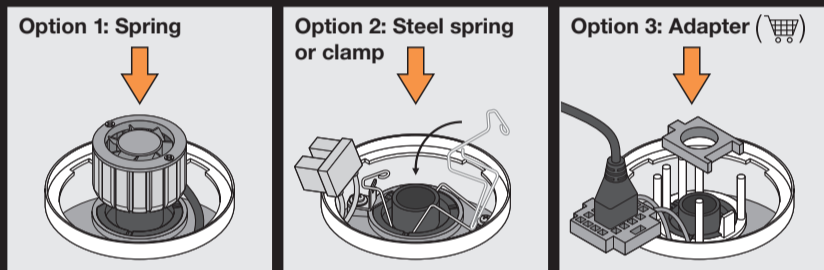
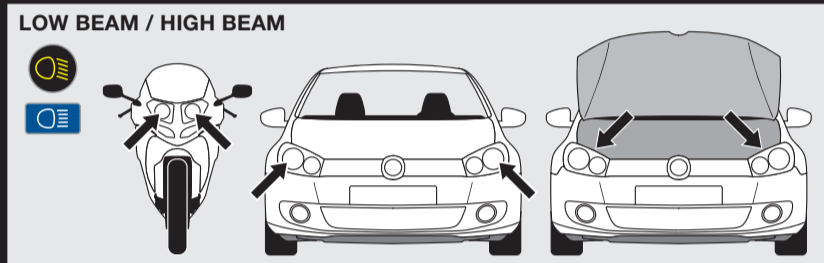


OSRAM Prosperity Co. Ltd
Room 4007-4009 Office Tower
Convention Plaza
1 Harbour Road
Wanchai, Hong Kong

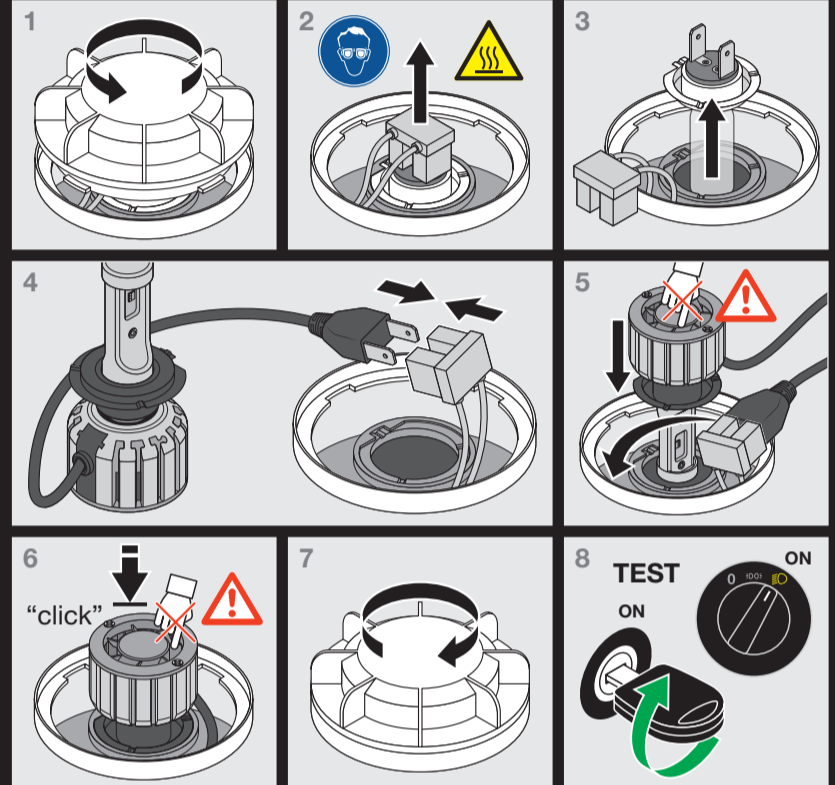
www.osram.com/am-guarantee

C15122315
G15132334
16.10.24

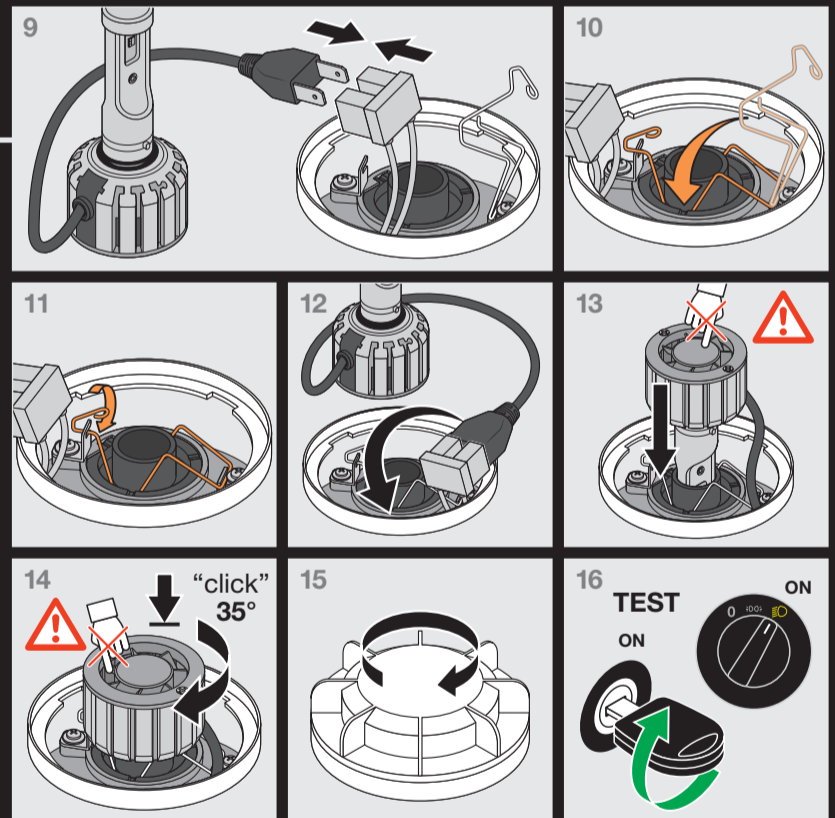
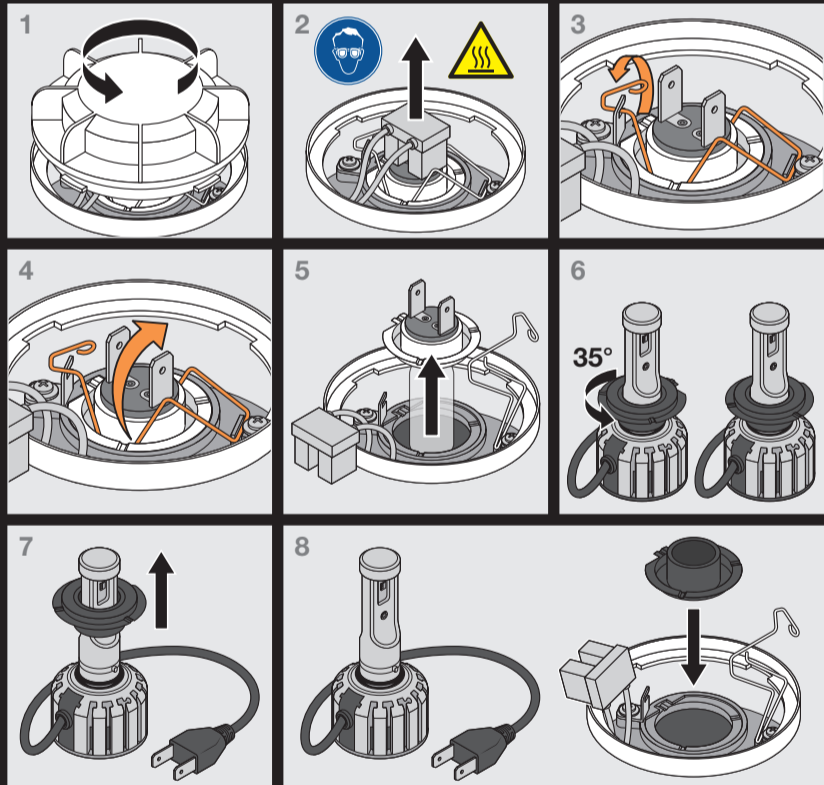
OSRAM GmbH
Nonnendammallee 44
13629 Berlin
Germany
www.osram.com



Option 1: Spring



Option 2: Steel spring or clamp



Option 3: Adapter

Refer to the specific installation instructions of the adapter for detailed information.¹⁰⁾

Vehicle	Adapter
Vehicle A	64210DA**
Vehicle B	-
...	-
...	-

