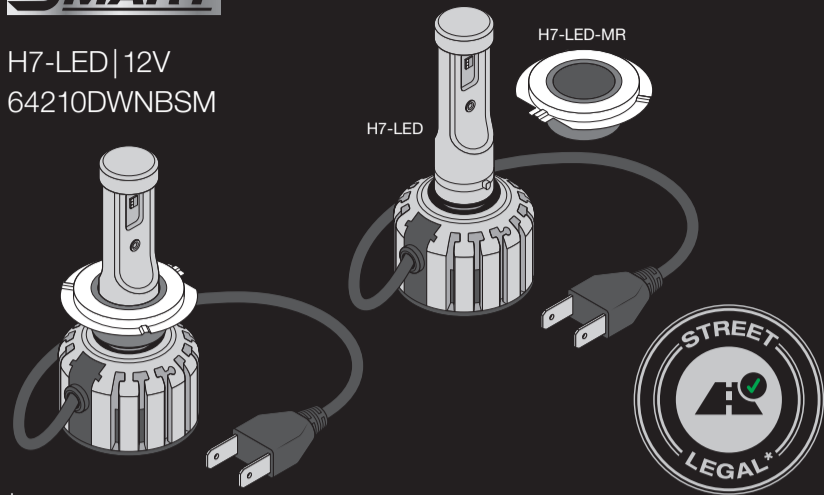


## NIGHT BREAKER® LED

**SMART**

H7-LED | 12V  
64210DWNBSM



\* Applies only to vehicle models and light functions on the current compatibility list and in the respective country. For more details see [www.osram.com/nb-led](http://www.osram.com/nb-led). The images shown in user manual are for illustration purposes only and may not be an exact representation of the product. <sup>1)</sup>

## NIGHT BREAKER® LED

**SMART**

H7-LED | 12V  
64210DWNBSM

<http://www.osram.com/am-installation>

For questions regarding maintenance or technical problems, please contact OSRAM customer service via [automotive-service@osram.com](mailto:automotive-service@osram.com)<sup>1)</sup>

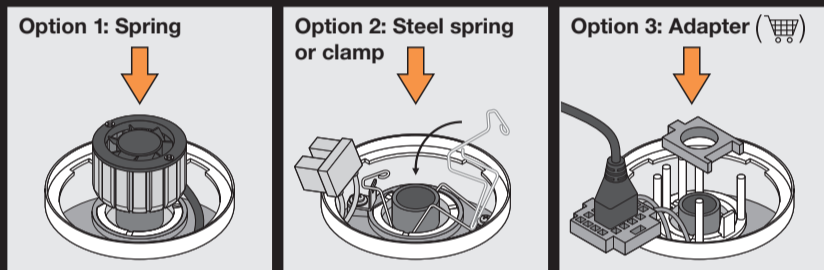
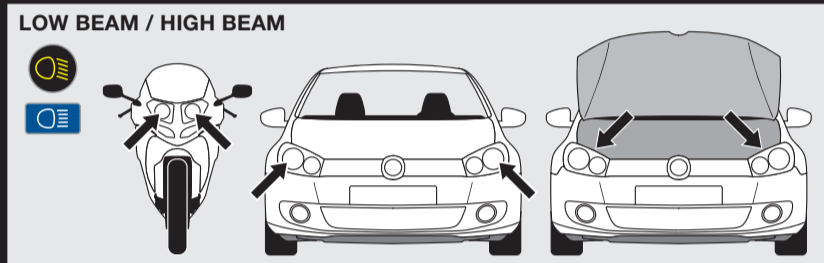


OSRAM Prosperity Co. Ltd  
Room 4007-4009 Office Tower  
Convention Plaza  
1 Harbour Road  
Wanchai, Hong Kong

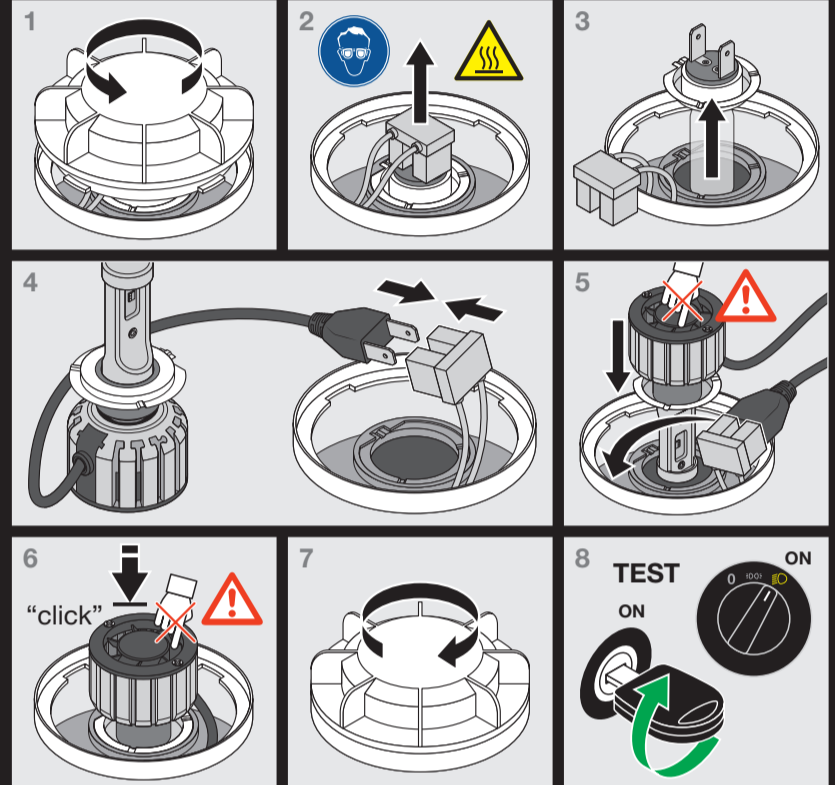
[www.osram.com/am-guarantee](http://www.osram.com/am-guarantee)

C15122315  
G15129839  
30.04.24

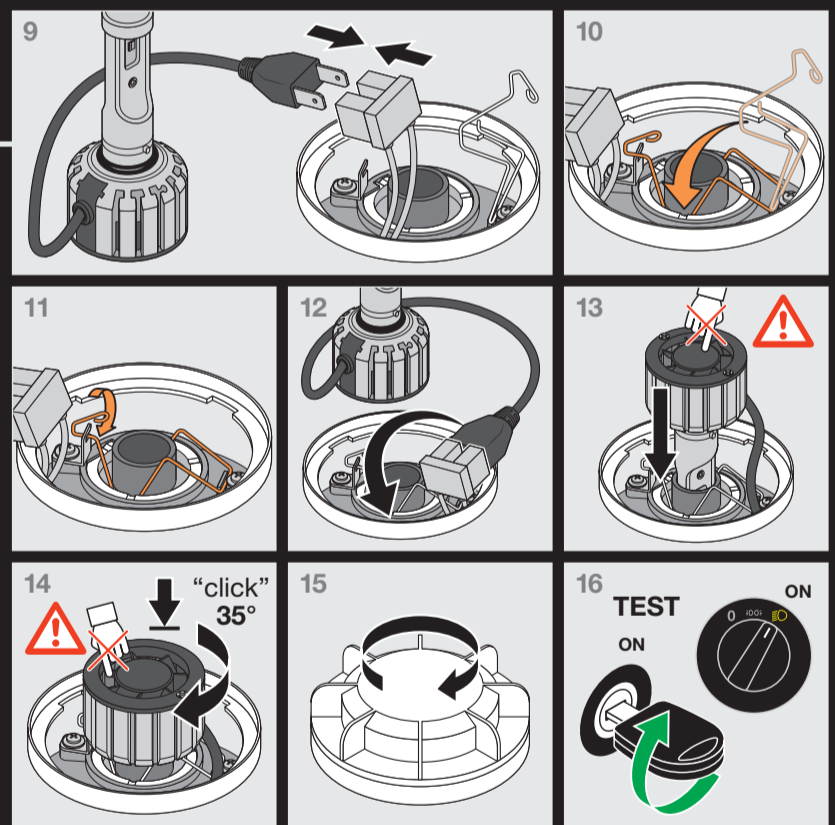
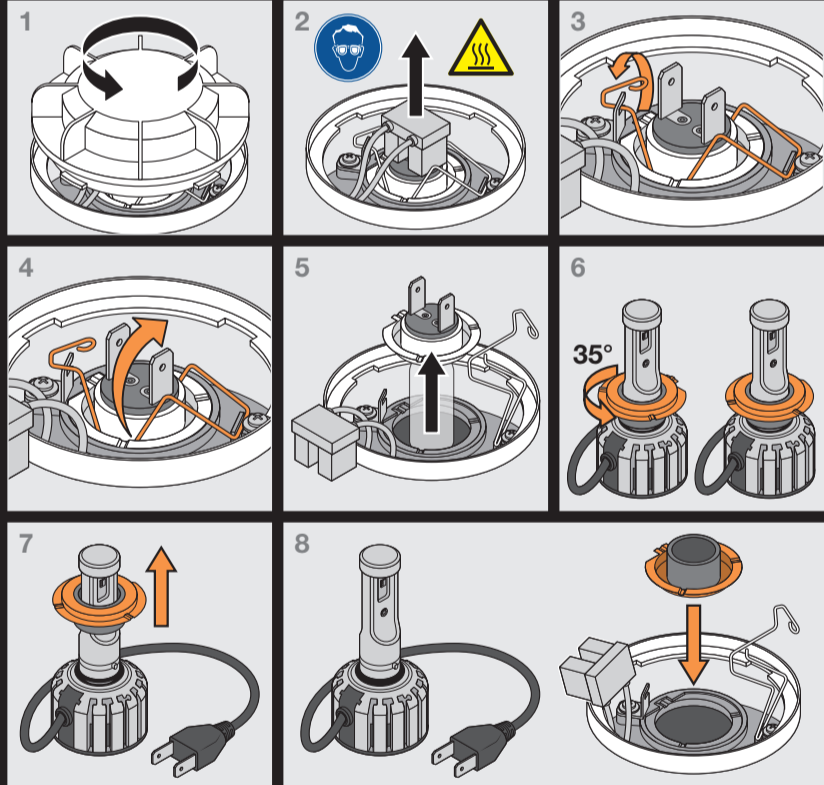
OSRAM GmbH  
Nonnendammallee 44  
13629 Berlin  
Germany  
[www.osram.com](http://www.osram.com)



### Option 1: Spring



### Option 2: Steel spring or clamp



### Option 3: Adapter

Vehicle	Adapter
Vehicle A	64210DA**
Vehicle B	-
...	-
...	-

Refer to the specific installation instructions of the adapter for detailed information.<sup>10)</sup>

