

OSRAM SFH 4795BS

Datasheet

Published by **ams-OSRAM AG**

Tobelbader Strasse 30, 8141 Premstaetten, Austria

Phone +43 3136 500-0

ams-osram.com

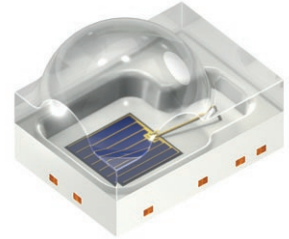
© All rights reserved



SYNIOS® P2720

SFH 4795BS

IR SYNIOS P2720 - 60°



Applications

- Access Control & Security
- Authentication
- Eye, face and hand tracking
- Factory Automation
- Home & Building Automation
- Medical Lighting

Features

- Package: clear silicone
- ESD: 2 kV acc. to ANSI/ESDA/JEDEC JS-001 (HBM, Class 2)
- IR lightsource with high efficiency
- Double stack emitter
- Low thermal resistance
- Optimized for high brightness DC operation
- Centroid wavelength options 920nm and 940nm

Ordering Information

Type	Ordering Code
SFH 4795BS-EB1FA1-11	Q65113A8826
SFH 4795BS-EB1FA1-13	Q65113A8825
SFH 4795BS-EB1FA1-1113	Q65113A8827

Maximum Ratings

 $T_A = 25\text{ °C}$

Parameter	Symbol		Values
Operating temperature	T_{op}	min.	-40 °C
		max.	105 °C
Storage temperature	T_{stg}	min.	-40 °C
		max.	105 °C
Junction temperature	T_j	max.	145 °C
Forward current	I_F	max.	1500 mA
Forward current pulsed $t_p \leq 10\text{ ms}; D \leq 0.005$	$I_{F\text{ pulse}}$	max.	3 A
Reverse voltage ¹⁾	V_R	max.	5 V
ESD withstand voltage acc. to ANSI/ESDA/JEDEC JS-001 (HBM, Class 2)	V_{ESD}	max.	2 kV

For the forward current and power consumption please see "maximum permissible forward current" diagram

Characteristics

$I_F = 1000 \text{ mA}$; $t_p = 10 \text{ ms}$; $T_A = 25 \text{ °C}$

Parameter	Symbol		Values
Centroid wavelength ²⁾	$\lambda_{\text{centroid}}$	min. max.	912 nm 950 nm
Spectral bandwidth at 50% $I_{\text{rel,max}}$ (FWHM)	$\Delta\lambda$	typ.	37 nm
Half angle	φ	typ.	30 °
Forward voltage ³⁾	V_F	typ. max.	2.7 V 3.1 V
Reverse current ¹⁾ $V_R = 5 \text{ V}$	I_R	typ. max.	0.01 μA 10 μA
Total radiant flux ⁴⁾ $I_F = 1 \text{ A}$; $t_p = 100 \text{ }\mu\text{s}$	Φ_e	typ.	1560 mW
Thermal resistance junction solder point electrical ⁵⁾ with efficiency $\eta_e = 58 \text{ %}$	$R_{\text{thJS elec.}}$	max.	2.3 K / W

Brightness Groups

Group	Radiant intensity ⁶⁾⁷⁾	Radiant intensity ⁶⁾⁷⁾
	$I_F = 1 \text{ A}; t_p = 10 \text{ ms}$ min. I_e	$I_F = 1 \text{ A}; t_p = 10 \text{ ms}$ max. I_e
EB1	900 mW/sr	1000 mW/sr
EB2	1000 mW/sr	1120 mW/sr
FA1	1120 mW/sr	1250 mW/sr

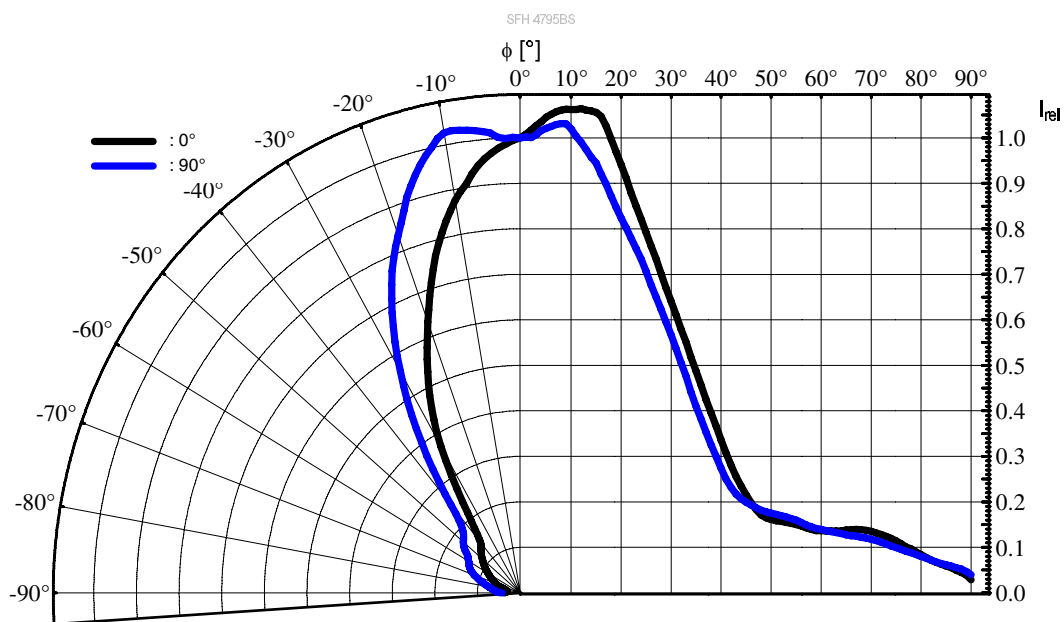
Only one group in one packing unit.

Centroid Wavelength

Group	Centroid wavelength ²⁾	
	min. $\lambda_{\text{centroid}}$	max. $\lambda_{\text{centroid}}$
11	912 nm	925 nm
12	925 nm	930 nm
13	930 nm	950 nm

Radiation Characteristics 8), 9)

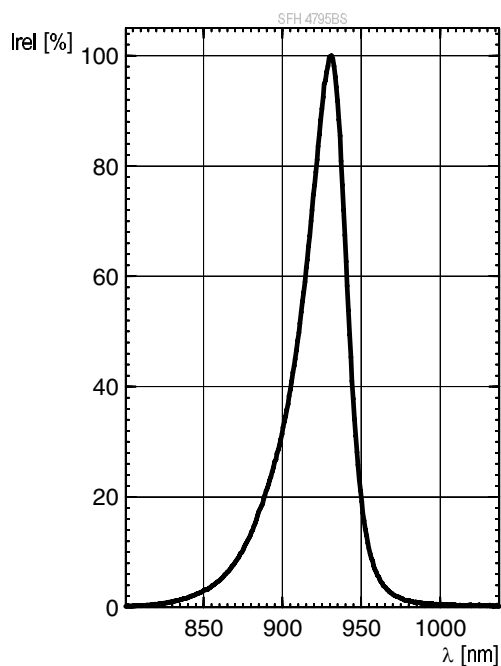
$$I_{e,rel} = f(\varphi)$$



Relative Spectral Emission 8), 9)

$$I_{e,rel} = f(\lambda); I_F = 1000 \text{ mA}; t_p = 10 \text{ ms}$$

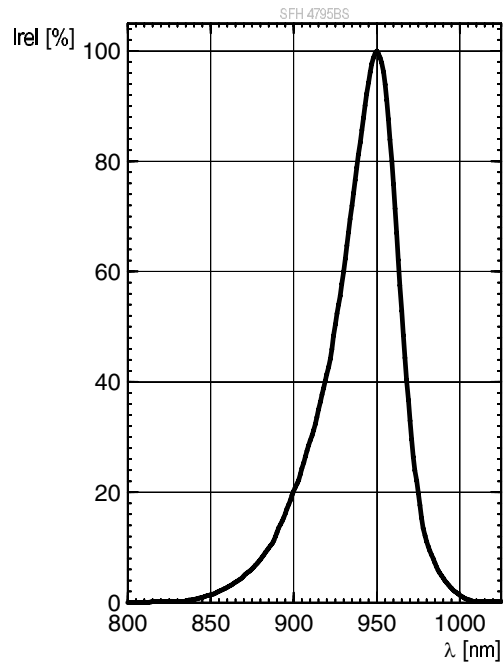
920 nm



Relative Spectral Emission 8), 9)

$I_{e,rel} = f(\lambda); I_F = 1000 \text{ mA}; t_p = 10 \text{ ms}$

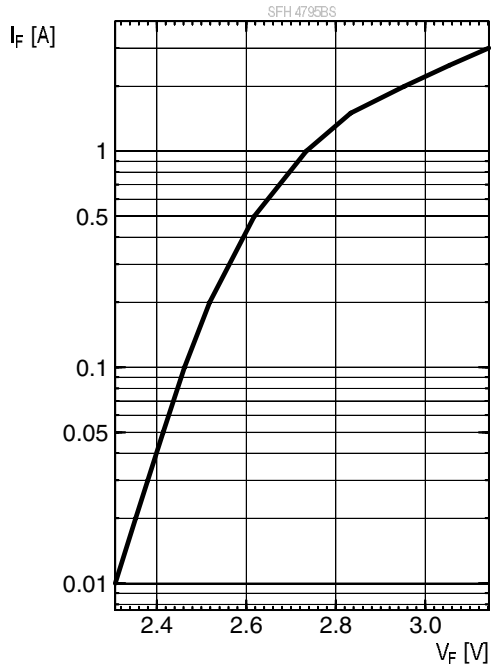
940 nm



Forward current 8), 9)

$I_F = f(V_F)$; single pulse; $t_p = 100\mu s$

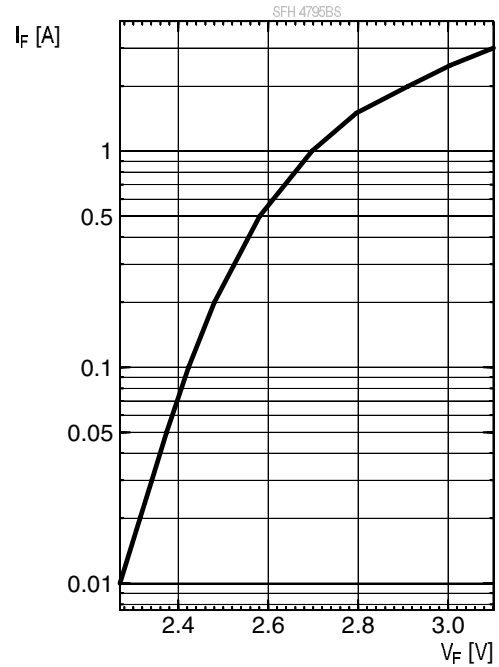
920nm



Forward current 8), 9)

$I_F = f(V_F)$; single pulse; $t_p = 100\mu s$

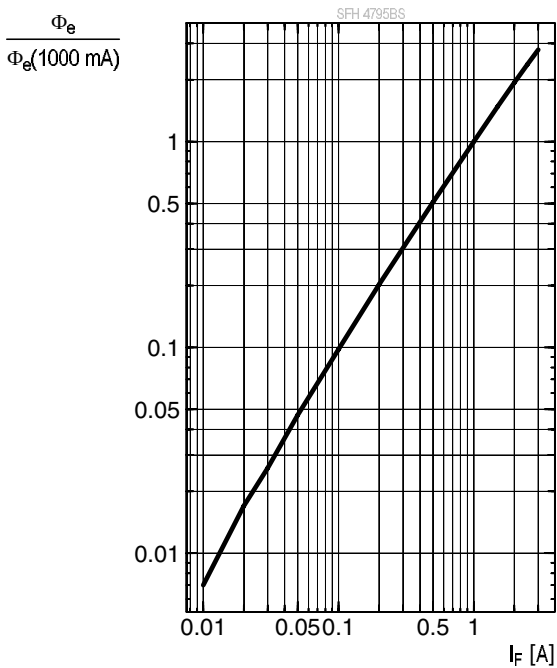
940nm



Relative Total Radiant Flux 8), 9)

$\Phi_e / \Phi_e(1000mA) = f(I_F)$; single pulse; $t_p = 100\mu s$

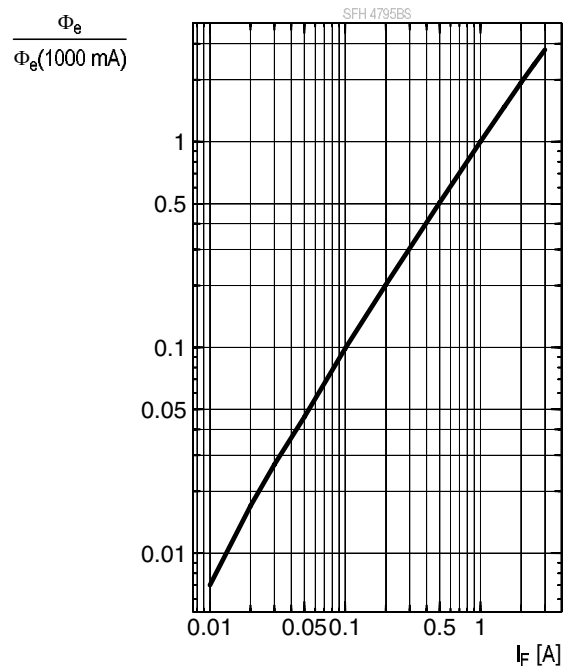
920nm



Relative Total Radiant Flux 8), 9)

$\Phi_e / \Phi_e(1000mA) = f(I_F)$; single pulse; $t_p = 100\mu s$

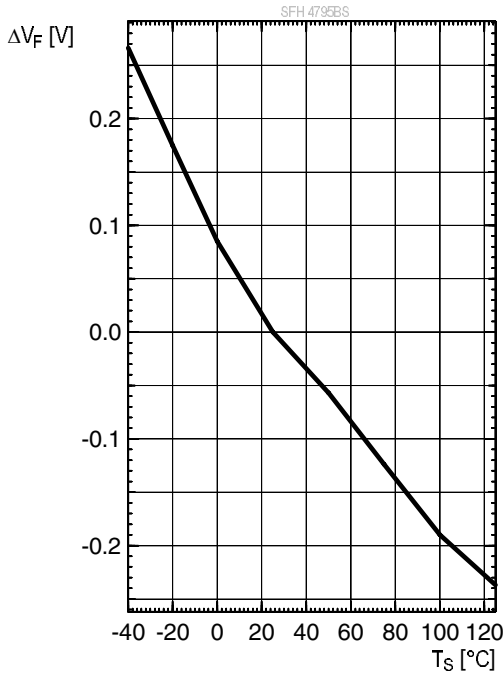
940nm



Forward Voltage ⁸⁾

$V_F=f(T_S); I_F=1000\text{mA}; t_p=100\mu\text{s}$

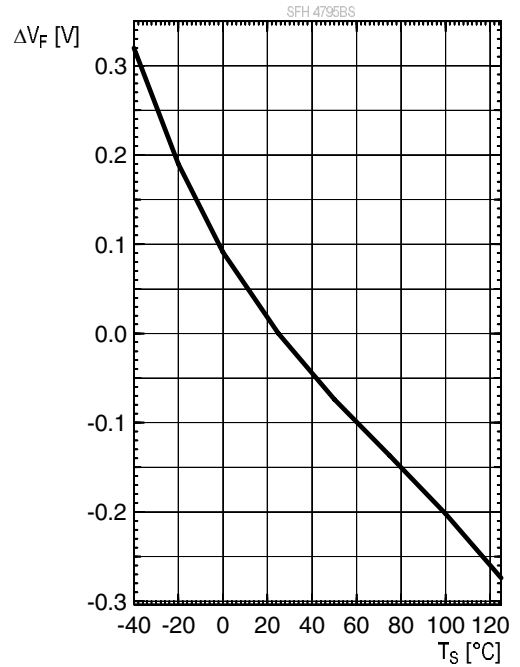
920nm



Forward Voltage ⁸⁾

$V_F=f(T_S); I_F=1000\text{mA}; t_p=100\mu\text{s}$

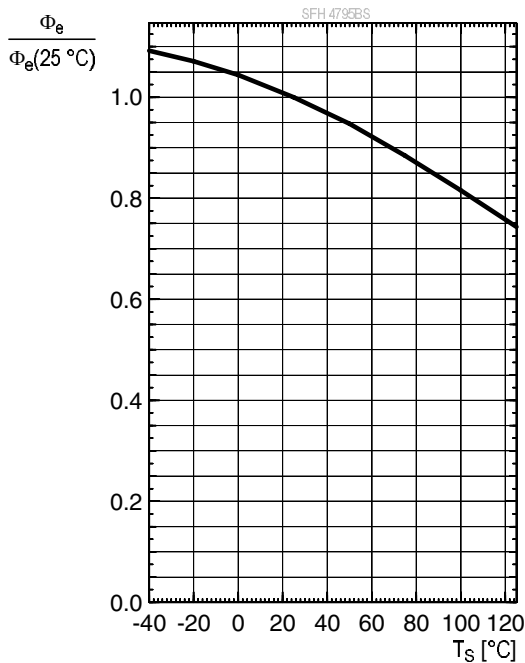
940nm



Relative Total Radiant Flux ⁸⁾

$\Phi_{rel}=f(T_S); I_F=1000\text{mA}; t_p=100\mu\text{s}$

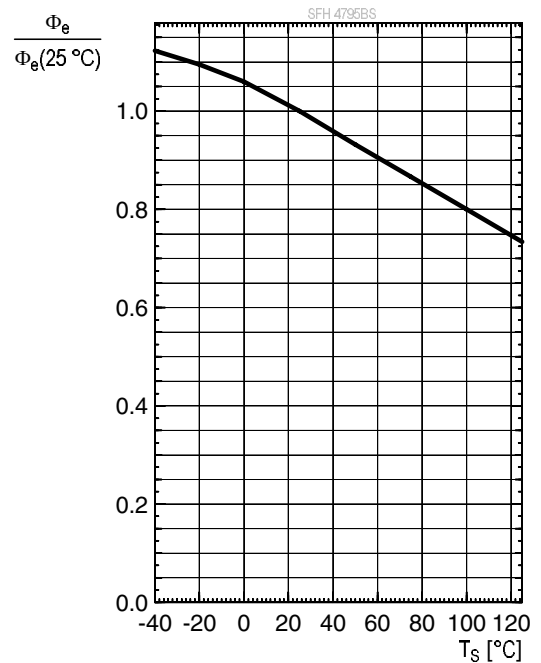
920nm



Relative Total Radiant Flux ⁸⁾

$\Phi_{rel}=f(T_S); I_F=1000\text{mA}; t_p=100\mu\text{s}$

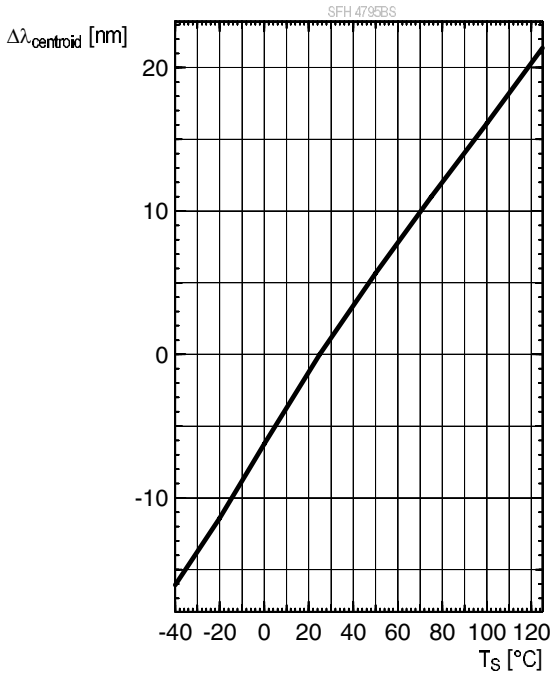
940nm



Centroid Wavelength ⁸⁾

$$\lambda_{\text{centroid}} = f(T_s); I_F = 1000\text{mA}; t_p = 100\mu\text{s}$$

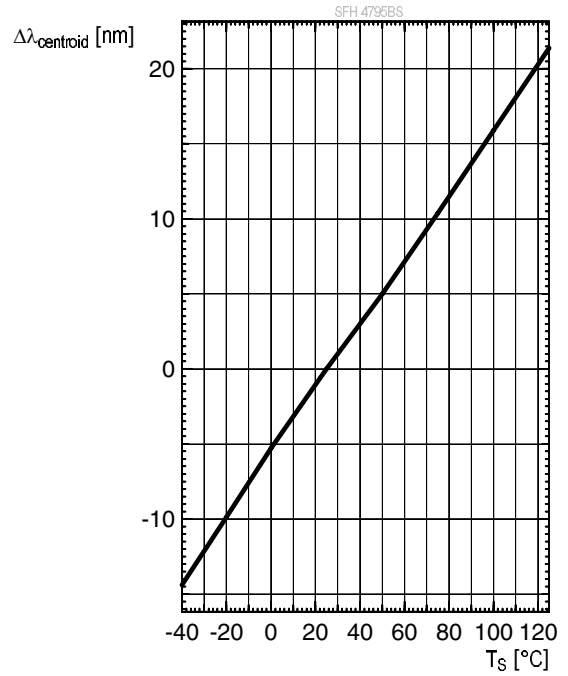
920 nm



Centroid Wavelength ⁸⁾

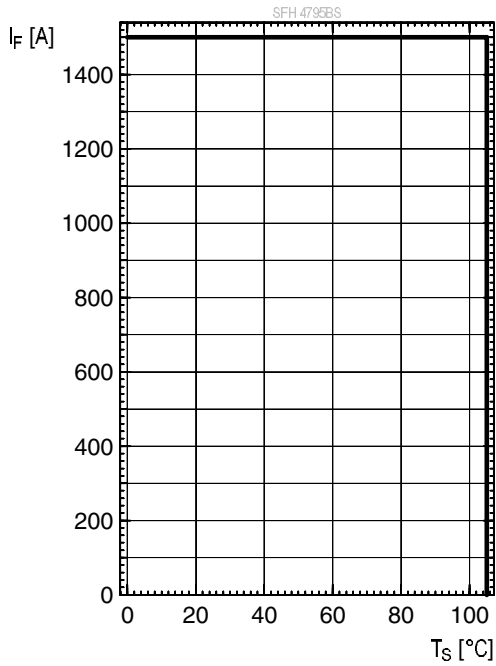
$$\lambda_{\text{centroid}} = f(T_s); I_F = 1000\text{mA}; t_p = 100\mu\text{s}$$

940nm



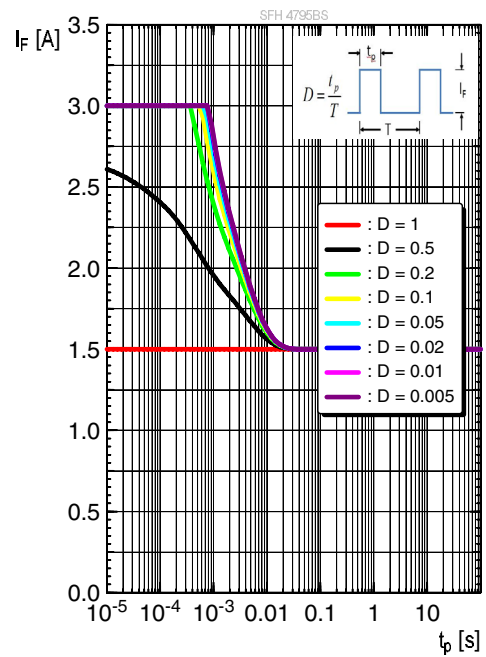
Max. Permissible Forward Current

$$I_F = f(T_s)$$

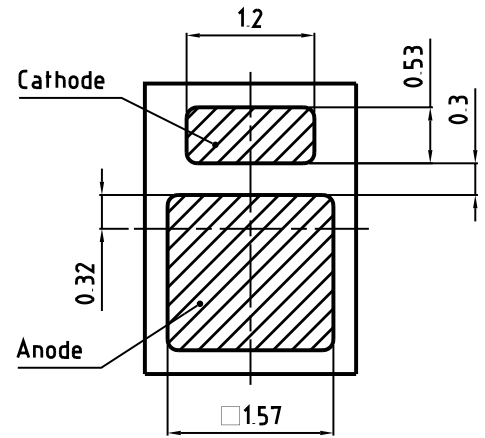
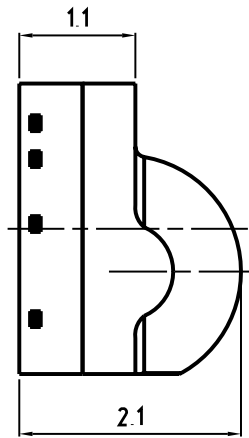
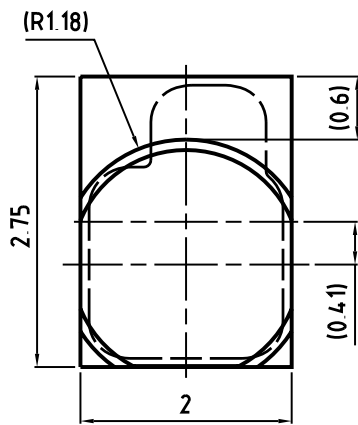


Permissible Pulse Handling Capability

$$I_F = f(t_p); \text{duty cycle } D = \text{parameter}; T_s = 85^\circ\text{C}$$



Dimensional Drawing ¹⁰⁾



General tolerance ± 0.1

Lead finish Au 

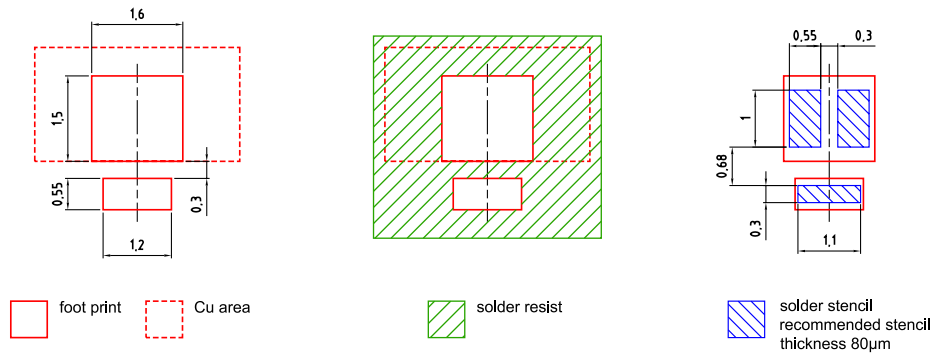
C63062-A4445-A1-02

Further Information:

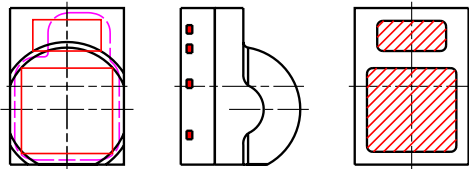
Approximate Weight: 8.0 mg

Package marking: Cathode

Recommended Solder Pad ¹⁰⁾



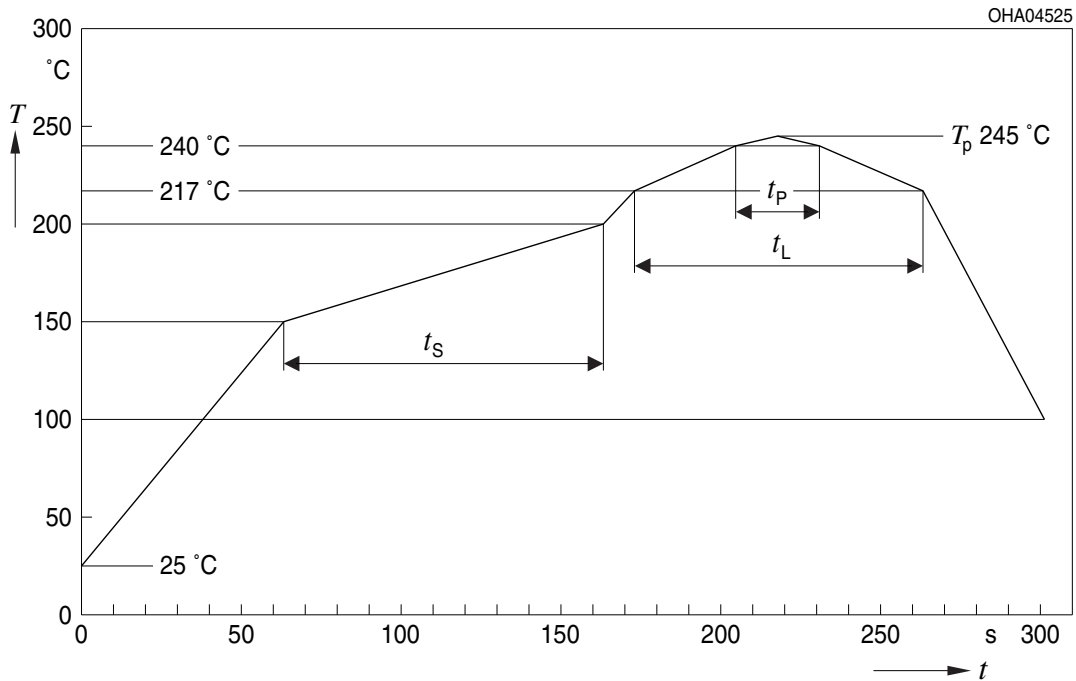
Component Location on Pad



E062.3010.334 -02

Reflow Soldering Profile

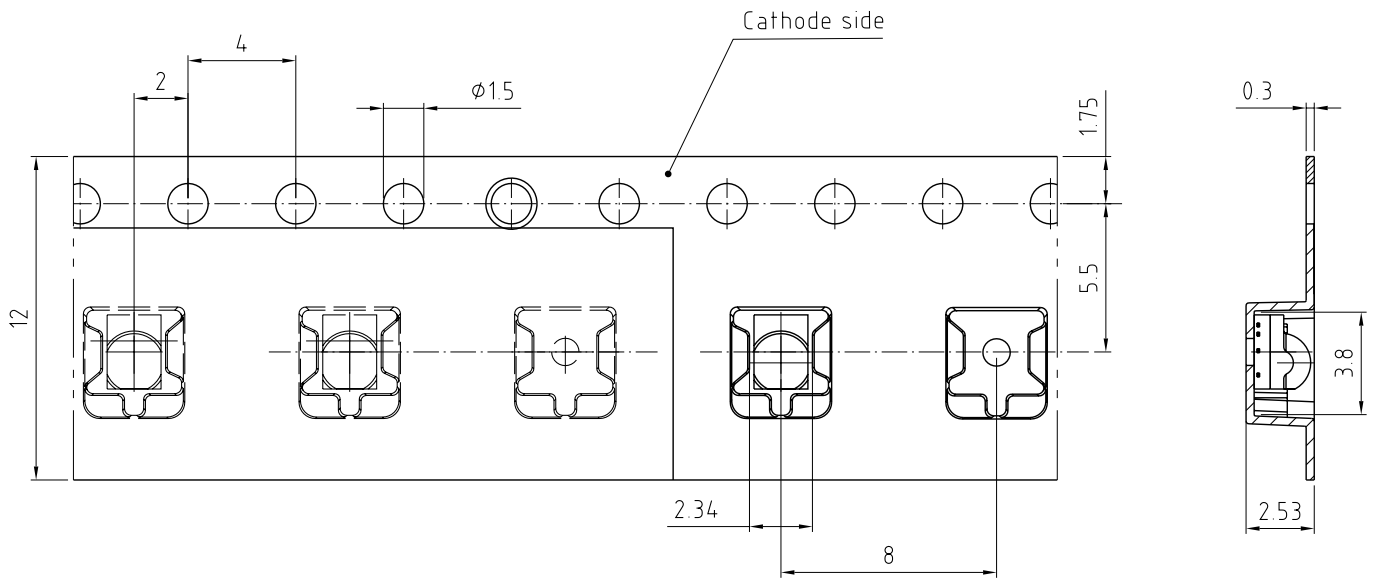
Product complies to MSL Level 2 acc. to JEDEC J-STD-020E



Profile Feature	Symbol	Pb-Free (SnAgCu) Assembly			Unit
		Minimum	Recommendation	Maximum	
Ramp-up rate to preheat ^{*)} 25 °C to 150 °C			2	3	K/s
Time t_s T_{Smin} to T_{Smax}	t_s	60	100	120	s
Ramp-up rate to peak ^{*)} T_{Smax} to T_p			2	3	K/s
Liquidus temperature	T_L		217		°C
Time above liquidus temperature	t_L		80	100	s
Peak temperature	T_p		245	260	°C
Time within 5 °C of the specified peak temperature $T_p - 5$ K	t_p	10	20	30	s
Ramp-down rate* T_p to 100 °C			3	6	K/s
Time 25 °C to T_p				480	s

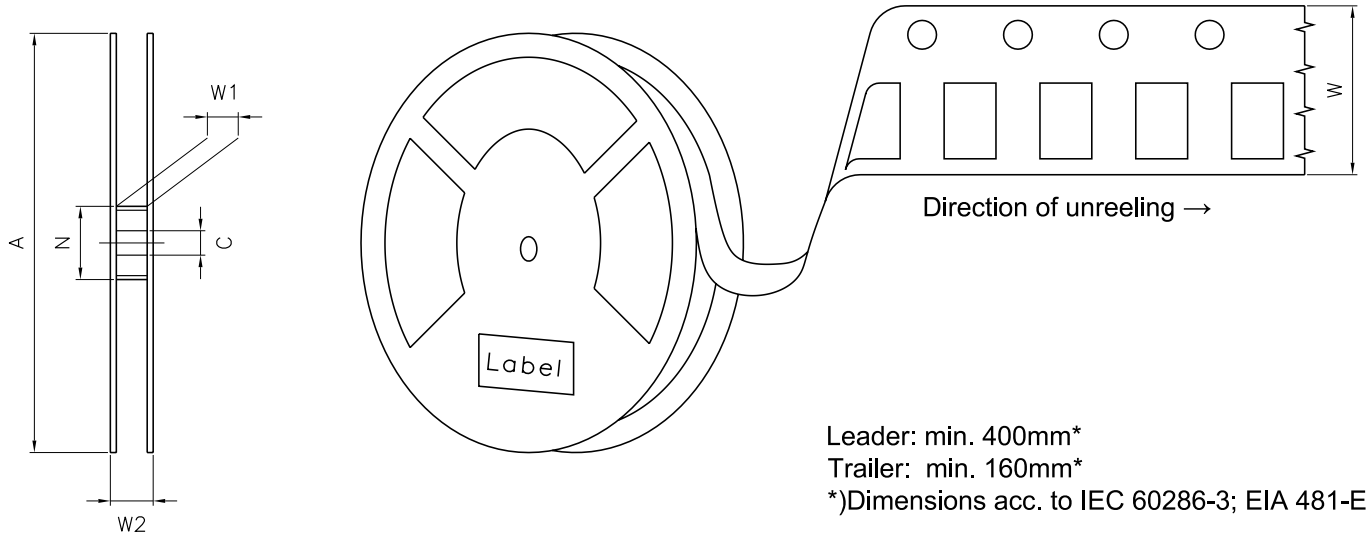
All temperatures refer to the center of the package, measured on the top of the component
^{*} slope calculation DT/Dt : Dt max. 5 s; fulfillment for the whole T-range

Taping ¹⁰⁾



C63062-A4445-B10-01

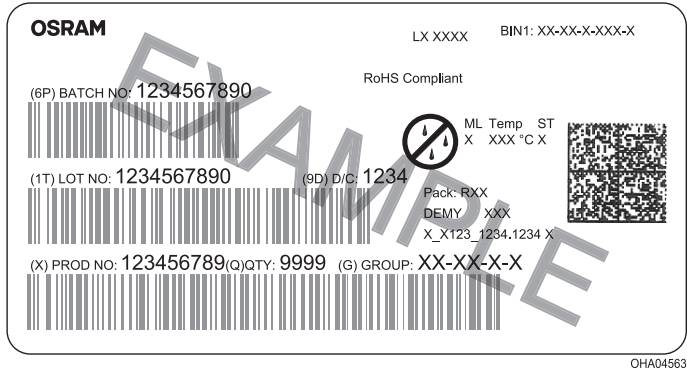
Tape and Reel ¹¹⁾



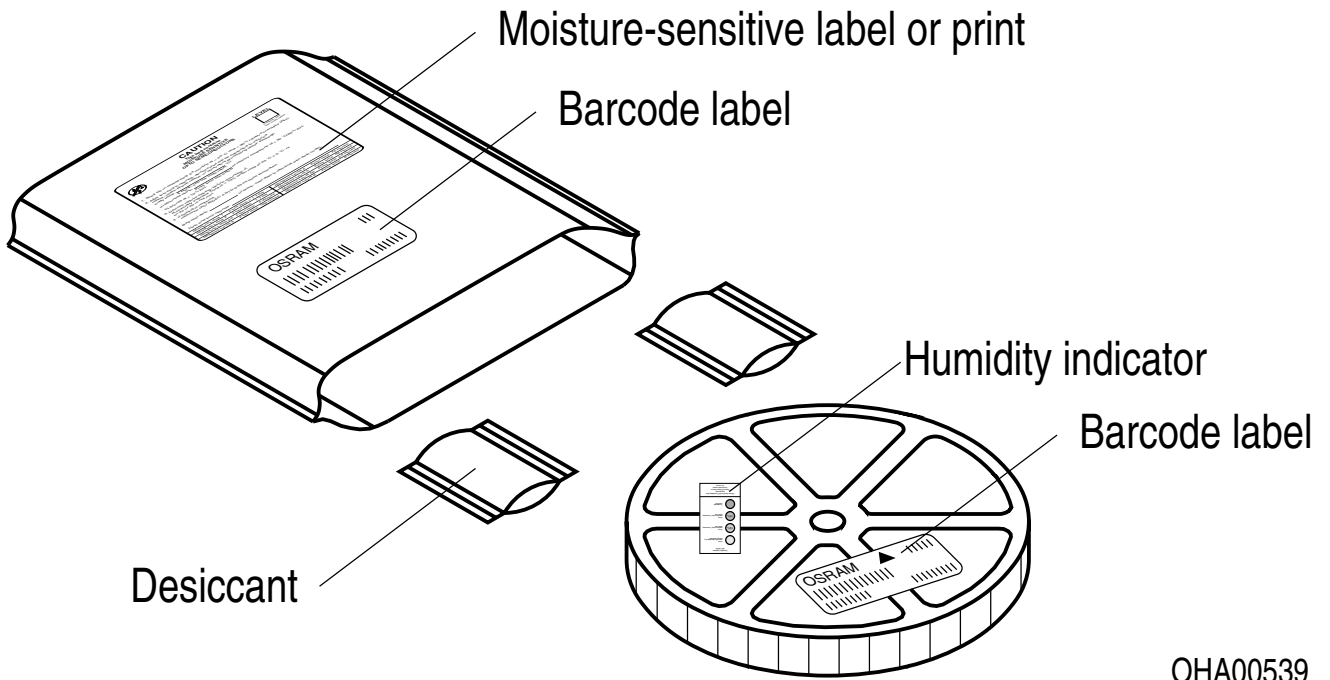
Reel Dimensions

A	W	N_{\min}	W_1	$W_{2\max}$	Pieces per PU
180 mm	$8 + 0.3 / - 0.1$ mm	60 mm	$8.4 + 2$ mm	14.4 mm	900

Barcode-Product-Label (BPL)



Dry Packing Process and Materials ¹⁰⁾



Moisture-sensitive product is packed in a dry bag containing desiccant and a humidity card according JEDEC-STD-033.

Notes

The evaluation of eye safety occurs according to the standard IEC 62471:2006 (photo biological safety of lamps and lamp systems). Within the risk grouping system of this IEC standard, the device specified in this data sheet falls into **exempt risk group - Exempt**.

Subcomponents of this device contain, in addition to other substances, metal filled materials including silver. Metal filled materials can be affected by environments that contain traces of aggressive substances. Therefore, we recommend that customers minimize device exposure to aggressive substances during storage, production, and use. Devices that showed visible discoloration when tested using the described tests above did show no performance deviations within failure limits during the stated test duration. Respective failure limits are described in the IEC60810.

For further application related information please visit <https://ams-osram.com/support/application-notes>

Disclaimer

Attention please!

The information describes the type of component and shall not be considered as assured characteristics. Terms of delivery and rights to change design reserved. Due to technical requirements components may contain dangerous substances.

For information on the types in question please contact our Sales Organization.

If printed or downloaded, please find the latest version on our website.

Packing

Please use the recycling operators known to you. We can also help you – get in touch with your nearest sales office. By agreement we will take packing material back, if it is sorted. You must bear the costs of transport. For packing material that is returned to us unsorted or which we are not obliged to accept, we shall have to invoice you for any costs incurred.

Product and functional safety devices/applications or medical devices/applications

Our components are not developed, constructed or tested for the application as safety relevant component or for the application in medical devices.

Our products are not qualified at module and system level for such application.

In case buyer – or customer supplied by buyer – considers using our components in product safety devices/ applications or medical devices/applications, buyer and/or customer has to inform our local sales partner immediately and we and buyer and /or customer will analyze and coordinate the customer-specific request between us and buyer and/or customer.

Glossary

- 1) **Reverse Operation:** This product is intended to be operated applying a forward current within the specified range. Applying any continuous reverse bias or forward bias below the voltage range of light emission shall be avoided because it may cause migration which can change the electro-optical characteristics or damage the LED.
- 2) **Wavelength:** The wavelengths are measured with a tolerance of ± 1 nm.
- 3) **Forward Voltage:** The forward voltages are measured with a tolerance of ± 0.1 V.
- 4) **Total radiant flux:** Measured with integrating sphere.
- 5) **Thermal resistance:** junction - soldering point, of the device only, mounted on an ideal heatsink (e.g. metal block)
- 6) **Radiant intensity:** Measured at a solid angle of $\Omega = 0.01$ sr
- 7) **Brightness:** The brightness values are measured with a tolerance of $\pm 11\%$.
- 8) **Typical Values:** Due to the special conditions of the manufacturing processes of semiconductor devices, the typical data or calculated correlations of technical parameters can only reflect statistical figures. These do not necessarily correspond to the actual parameters of each single product, which could differ from the typical data and calculated correlations or the typical characteristic line. If requested, e.g. because of technical improvements, these typ. data will be changed without any further notice.
- 9) **Testing temperature:** TA = 25°C (unless otherwise specified)
- 10) **Tolerance of Measure:** Unless otherwise noted in drawing, tolerances are specified with ± 0.1 and dimensions are specified in mm.
- 11) **Tape and Reel:** All dimensions and tolerances are specified acc. IEC 60286-3 and specified in mm.

Revision History

Version	Date	Change
1.0	2025-01-16	Initial Version



EU RoHS and China RoHS compliant product

此产品符合欧盟 RoHS 指令的要求；
按照中国的相关法规和标准，
不含有毒有害物质或元素。

Published by ams-OSRAM AG

Tobelbader Strasse 30, 8141 Premstaetten, Austria

Phone +43 3136 500-0

ams-osram.com

© All rights reserved

am 

OSRAM