

# OSRAM SFH 4726AS

## Datasheet

Published by **ams-OSRAM AG**

Tobelbader Strasse 30, 8141 Premstaetten, Austria

Phone +43 3136 500-0

[ams-osram.com](http://ams-osram.com)

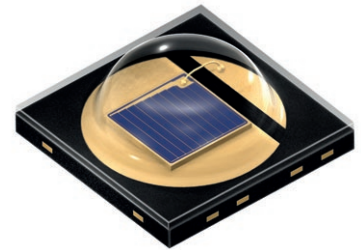
© All rights reserved



OSLON® Black

# SFH 4726AS

OSLON Black Series - 150°



## Applications

- Access Control & Security
- Authentication
- Body Tracking
- Factory Automation
- Home & Building Automation
- Medical Lighting

## Features

- Package: clear silicone
- ESD: 2 kV acc. to ANSI/ESDA/JEDEC JS-001 (HBM, Class 2)
- IR lightsource with high efficiency
- Double stack emitter
- Low thermal resistance (Max. 9 K/W)
- Optimized for high brightness DC operation
- Centroid wavelength options 920nm and 940nm

## Ordering Information

Type	Radiant intensity <sup>1)2)</sup> $I_F = 1 \text{ A}; t_p = 10 \text{ ms}$ $I_e$	Ordering Code
SFH 4726AS	224 ... 450 mW/sr	Q65112A0783
SFH 4726AS-BBCB-1113-R18	224 ... 450 mW/sr	Q65113A6462
SFH 4726AS-BBCB-11-R18	224 ... 450 mW/sr	Q65113A6461

Q65112A0783 exclusively contains wavelength bin 13

## Maximum Ratings

 $T_A = 25\text{ °C}$ 

Parameter	Symbol		Values
Operating temperature	$T_{op}$	min.	-40 °C
		max.	125 °C
Storage temperature	$T_{stg}$	min.	-40 °C
		max.	125 °C
Junction temperature	$T_j$	max.	145 °C
Forward current	$I_F$	max.	1500 mA
Forward current pulsed $t_p \leq 800\ \mu\text{s}$ ; $D \leq 0.005$	$I_{F\ pulse}$	max.	3 A
Reverse current <sup>3)</sup>	$I_R$	max.	200 mA
ESD withstand voltage acc. to ANSI/ESDA/JEDEC JS-001 (HBM, Class 2)	$V_{ESD}$	max.	2 kV

For the forward current and power consumption please see "maximum permissible forward current" diagram

## Characteristics

$I_F = 1000 \text{ mA}$ ;  $t_p = 10 \text{ ms}$ ;  $T_A = 25 \text{ °C}$

Parameter	Symbol	Values
Centroid wavelength <sup>4)</sup>	$\lambda_{\text{centroid}}$	min. 912 nm max. 950 nm
Spectral bandwidth at 50% $I_{\text{rel,max}}$ (FWHM)	$\Delta\lambda$	typ. 37 nm
Half angle	$\varphi$	typ. 75 °
Dimensions of active chip area	L x W	typ. 1 x 1 mm x mm
Rise time (10% / 90%) $I_F = 3 \text{ A}$ ; $R_L = 50 \text{ } \Omega$	$t_r$	typ. 12 ns
Fall time (10% / 90%) $I_F = 3 \text{ A}$ ; $R_L = 50 \text{ } \Omega$	$t_f$	typ. 15 ns
Forward voltage <sup>5)</sup>	$V_F$	typ. 2.8 V max. 3.2 V
Forward voltage <sup>5)</sup> $I_F = 1.5 \text{ A}$ ; $t_p = 100 \text{ } \mu\text{s}$	$V_F$	typ. 3.05 V max. 3.6 V
Forward voltage <sup>5)</sup> $I_F = 3 \text{ A}$ ; $t_p = 100 \text{ } \mu\text{s}$	$V_F$	typ. 3.35 V max. 4.1 V
Reverse voltage <sup>3)</sup> $I_R = 20 \text{ mA}$	$V_R$	max. 1.2 V
Reverse voltage (ESD device) <sup>3)</sup>	$V_{\text{RES D}}$	min. 5 V
Radiant intensity <sup>1)</sup> $I_F = 1.5 \text{ A}$ ; $t_p = 100 \text{ } \mu\text{s}$	$I_e$	typ. 485 mW/sr
Total radiant flux <sup>6)</sup> $I_F = 1 \text{ A}$ ; $t_p = 100 \text{ } \mu\text{s}$	$\Phi_e$	typ. 1580 mW
Total radiant flux <sup>6)</sup> $I_F = 1.5 \text{ A}$ ; $t_p = 100 \text{ } \mu\text{s}$	$\Phi_e$	typ. 2350 mW
Temperature coefficient of voltage	$TC_V$	typ. -2 mV / K
Temperature coefficient of brightness	$TC_I$	typ. -0.3 % / K
Temperature coefficient of wavelength	$TC_\lambda$	typ. 0.3 nm / K
Thermal resistance junction solder point real <sup>7)</sup>	$R_{\text{thJS real}}$	typ. 5.5 K / W max. 9.0 K / W

## Brightness Groups

$T_A = 25\text{ °C}$

Group	Radiant intensity <sup>1)2)</sup> $I_F = 1\text{ A}; t_p = 10\text{ ms}$ min. $I_e$	Radiant intensity <sup>1)2)</sup> $I_F = 1\text{ A}; t_p = 10\text{ ms}$ max. $I_e$
BB	224 mW/sr	280 mW/sr
CA	280 mW/sr	355 mW/sr
CB	355 mW/sr	450 mW/sr

Only one group in one packing unit (variation lower 1.6:1).

The brightness values are measured during a current pulse of typically 10ms, with a tolerance of +/- 12%.

## Centroid Wavelength

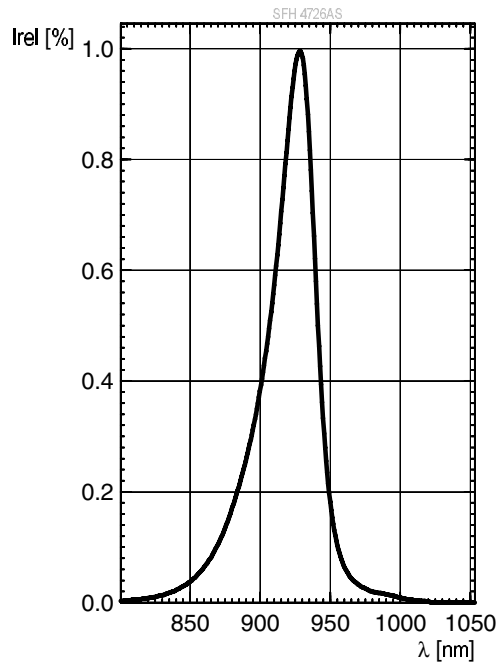
$I_F = 1 \text{ A}; t_p = 10 \text{ ms}$

Group	Centroid wavelength <sup>4)</sup>	
	min. $\lambda_{\text{centroid}}$	max. $\lambda_{\text{centroid}}$
11	912 nm	925 nm
12	925 nm	930 nm
13	930 nm	950 nm

**Relative Spectral Emission** 8), 9)

$$I_{e,rel} = f(\lambda); I_F = 1000 \text{ mA}; t_p = 10 \text{ ms}$$

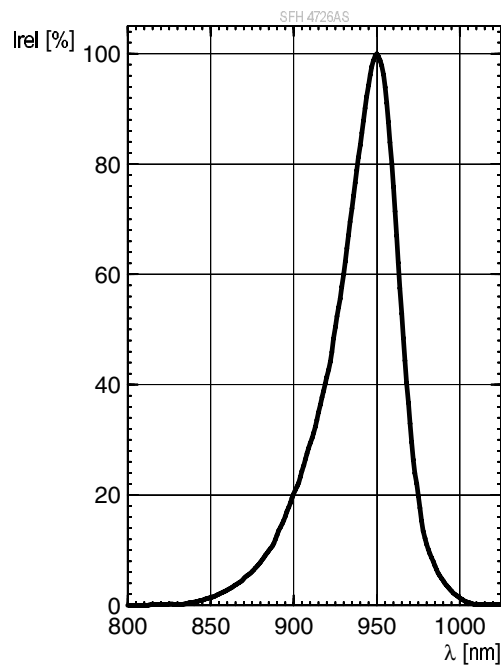
Centroid Wavelength Group 11



**Relative Spectral Emission** 8), 9)

$$I_{e,rel} = f(\lambda); I_F = 1000 \text{ mA}; t_p = 10 \text{ ms}$$

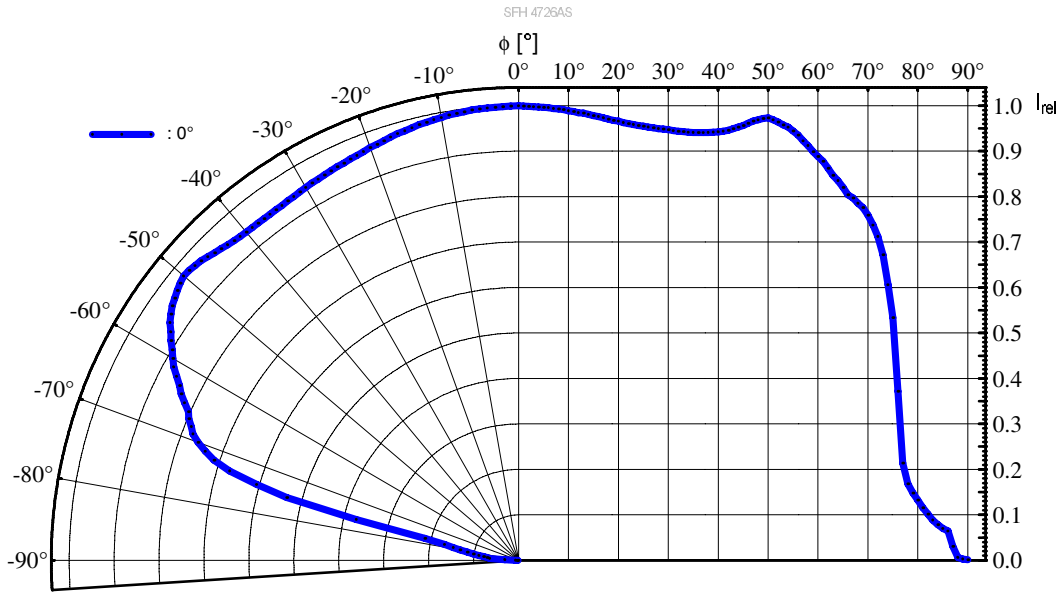
Centroid Wavelength Group 13





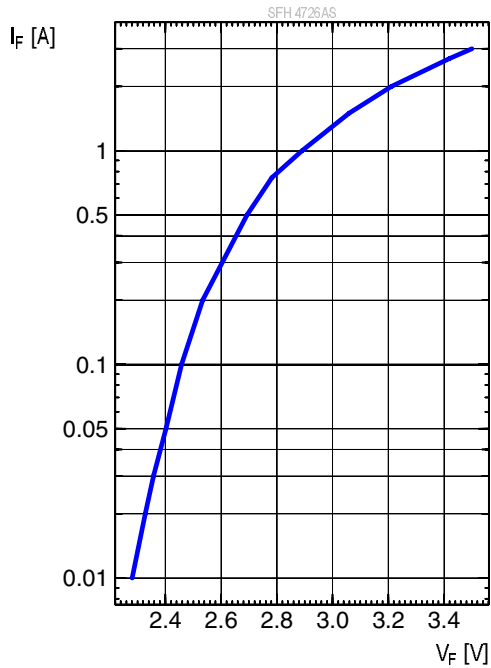
**Radiation Characteristics** 8), 9)

$I_{e,rel} = f(\varphi)$



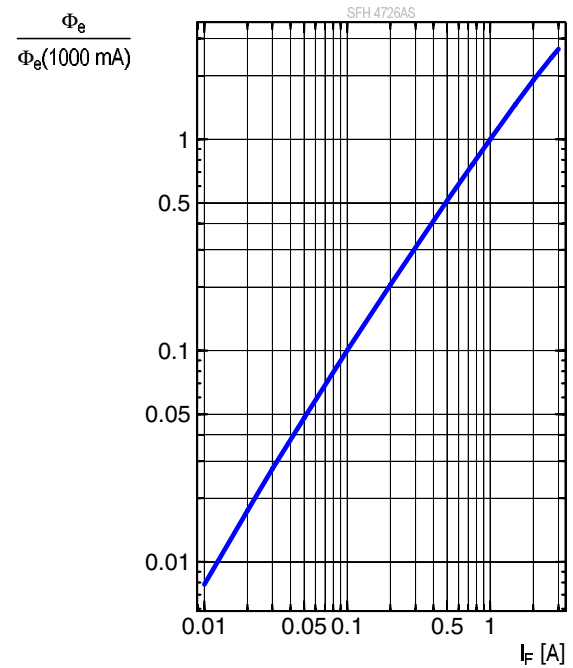
**Forward current** 8), 9)

$I_F = f(V_F)$ ; single pulse;  $t_p = 100 \mu s$



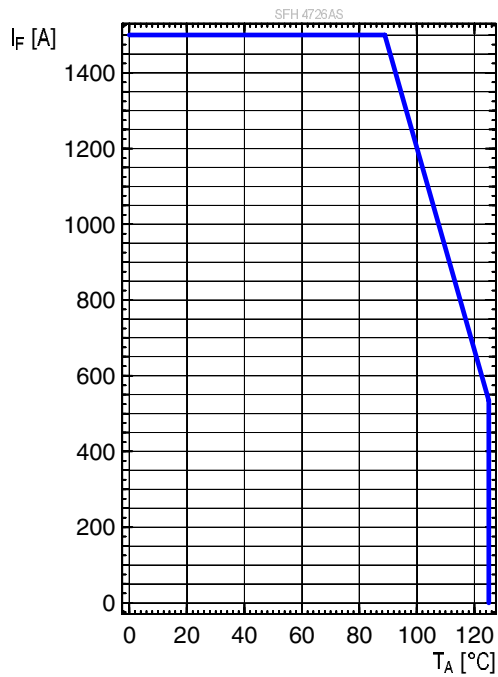
**Relative Total Radiant Flux** 8), 9)

$\Phi_e / \Phi_e(1000mA) = f(I_F)$ ; single pulse;  $t_p = 100 \mu s$



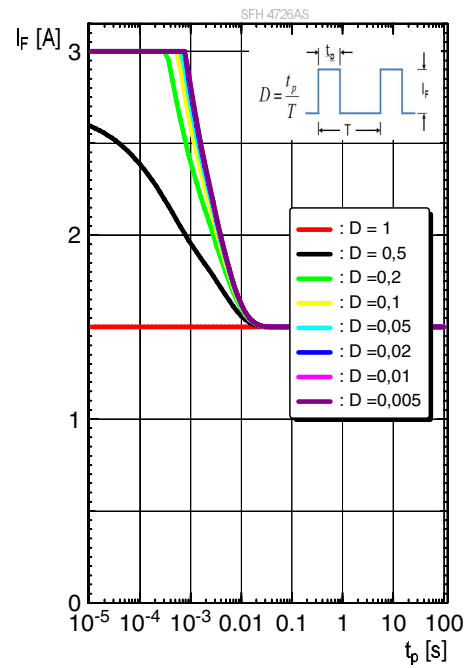
### Max. Permissible Forward Current

$I_F = f(T_S)$ ;  $R_{th_{js}} = 9 \text{ K/W}$

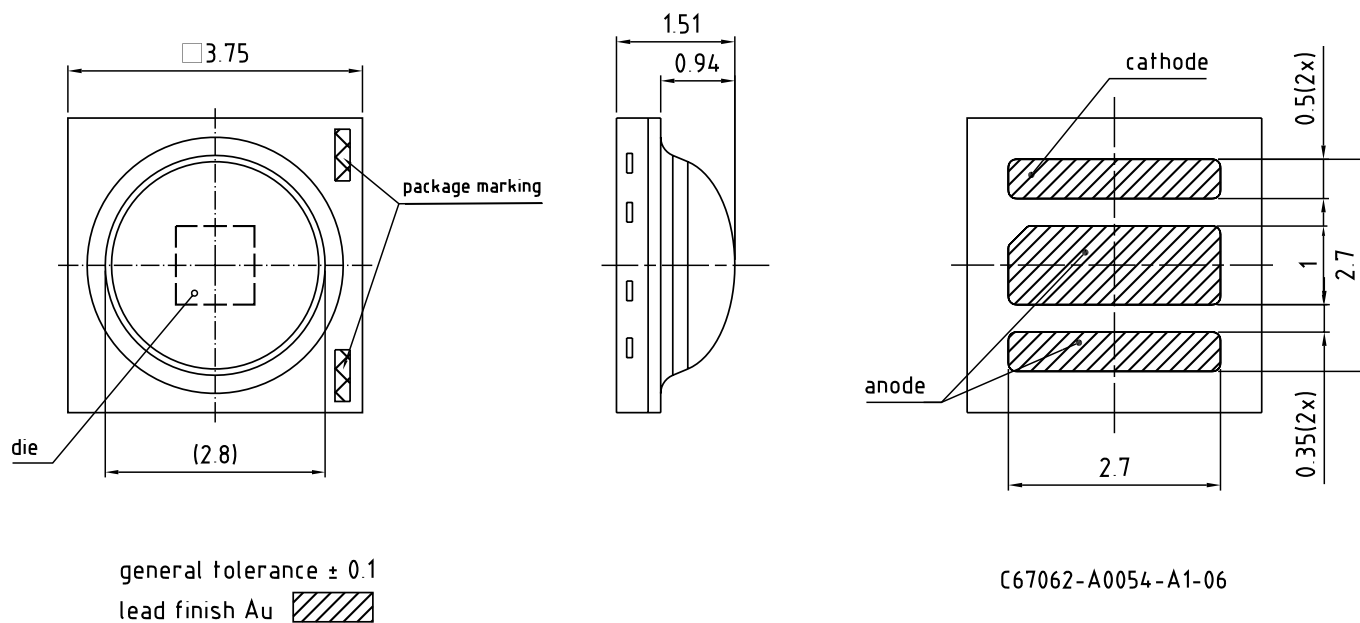


### Permissible Pulse Handling Capability

$I_F = f(t_p)$ ; duty cycle  $D = \text{parameter}$ ;  $T_S = 85^\circ\text{C}$



## Dimensional Drawing <sup>10)</sup>



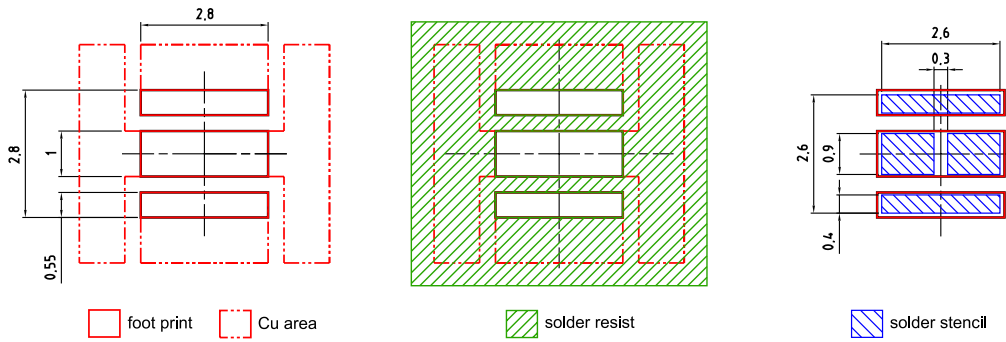
### Further Information:

**Approximate Weight:** 28.0 mg

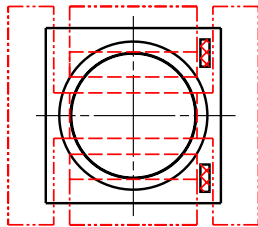
**Package marking:** Cathode

**ESD advice:** The device is protected by ESD device which is connected in parallel to the Chip.

Recommended Solder Pad <sup>10)</sup>



Component Location on Pad  
(Component is generic for round lens design)

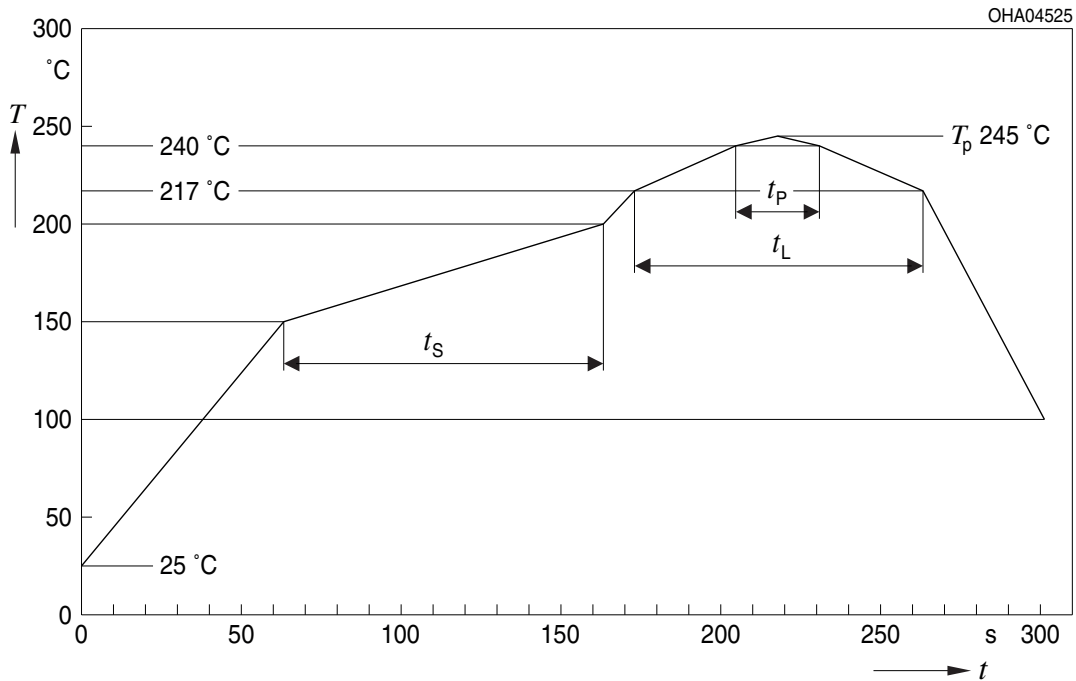


E062.3010.91 -06

For superior solder joint connectivity results we recommend soldering under standard nitrogen atmosphere. Package not suitable for ultra sonic cleaning.

## Reflow Soldering Profile

Product complies to MSL Level 2 acc. to JEDEC J-STD-020E

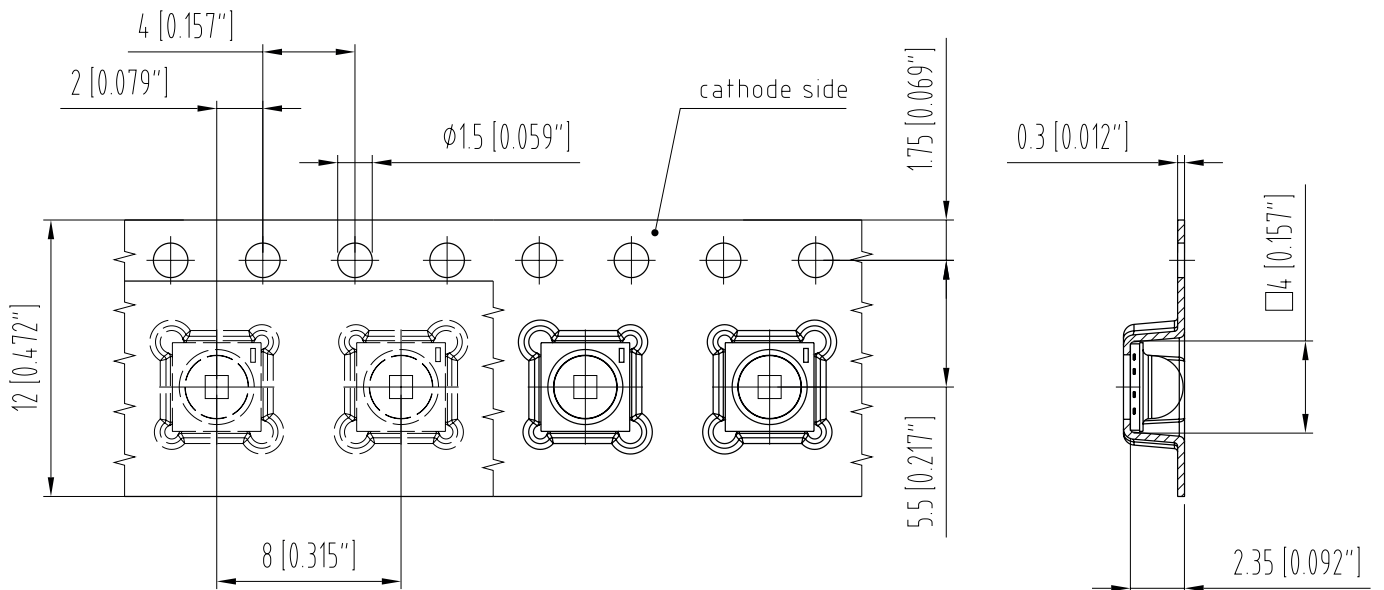


Profile Feature	Symbol	Pb-Free (SnAgCu) Assembly			Unit
		Minimum	Recommendation	Maximum	
Ramp-up rate to preheat <sup>*)</sup> 25 °C to 150 °C			2	3	K/s
Time $t_s$ $T_{Smin}$ to $T_{Smax}$	$t_s$	60	100	120	s
Ramp-up rate to peak <sup>*)</sup> $T_{Smax}$ to $T_p$			2	3	K/s
Liquidus temperature	$T_L$		217		°C
Time above liquidus temperature	$t_L$		80	100	s
Peak temperature	$T_p$		245	260	°C
Time within 5 °C of the specified peak temperature $T_p - 5$ K	$t_p$	10	20	30	s
Ramp-down rate* $T_p$ to 100 °C			3	6	K/s
Time 25 °C to $T_p$				480	s

All temperatures refer to the center of the package, measured on the top of the component

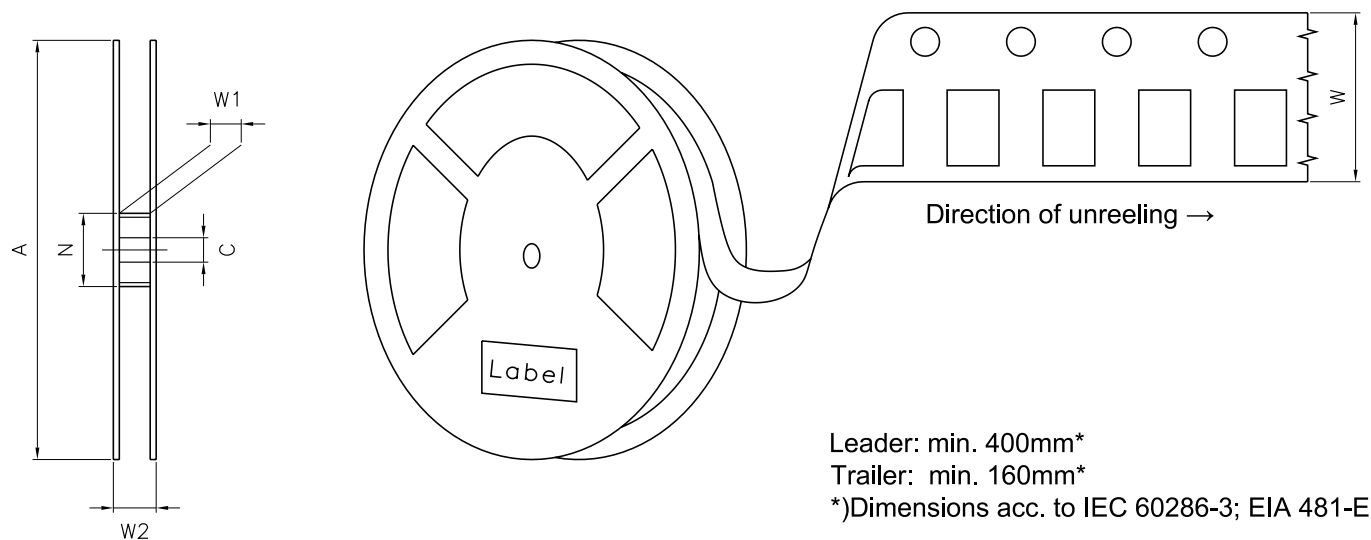
\* slope calculation  $DT/Dt$ :  $Dt$  max. 5 s; fulfillment for the whole T-range

Taping <sup>10)</sup>



C63062-A4068-B10-08

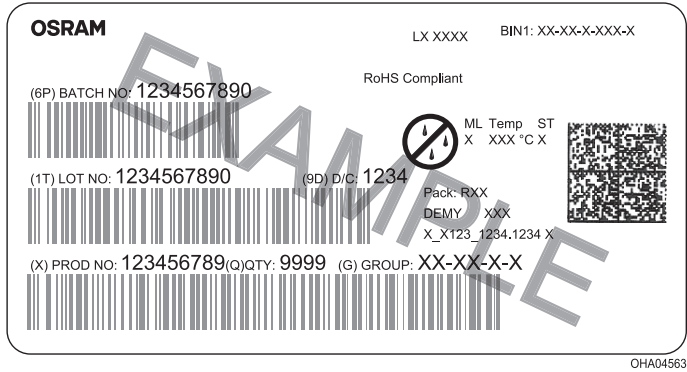
## Tape and Reel <sup>11)</sup>



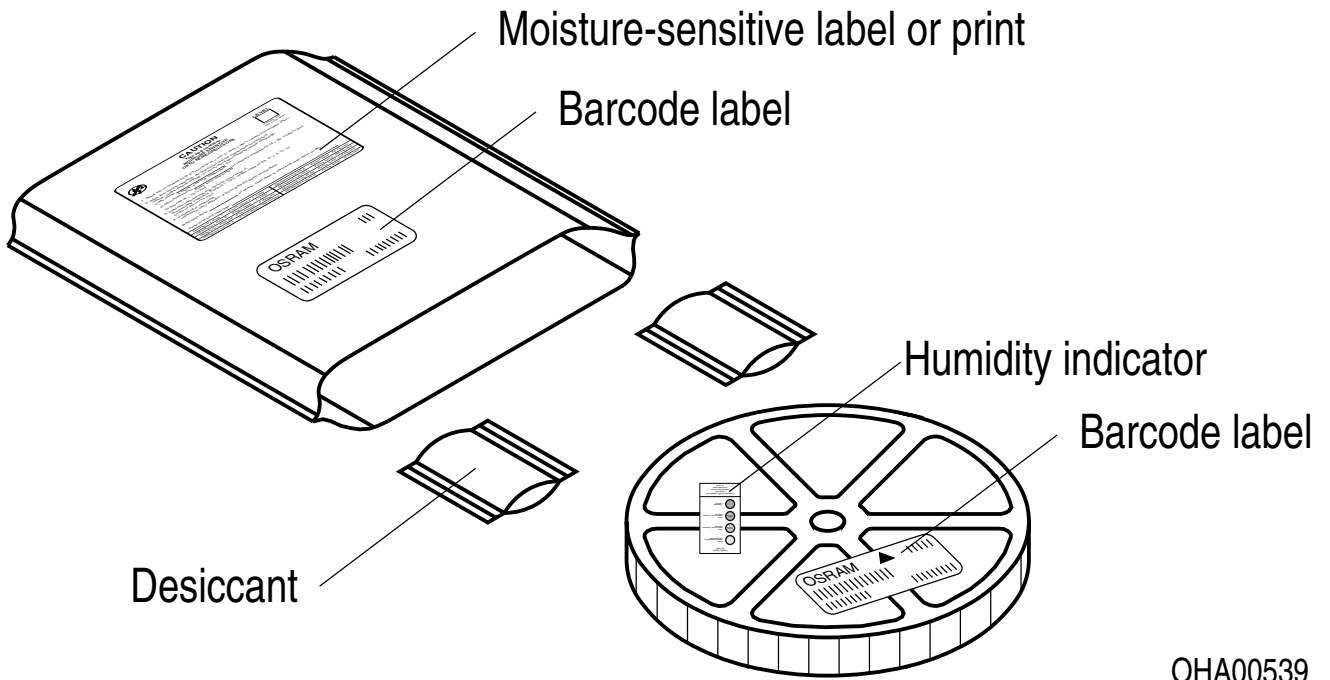
### Reel Dimensions

A	W	$N_{\min}$	$W_1$	$W_{2\max}$	Pieces per PU
180 mm	$12 + 0.3 / - 0.1$ mm	60 mm	$12.4 + 2$ mm	18.4 mm	600

**Barcode-Product-Label (BPL)**



**Dry Packing Process and Materials** <sup>10)</sup>



Moisture-sensitive product is packed in a dry bag containing desiccant and a humidity card according JEDEC-STD-033.



## Notes

The evaluation of eye safety occurs according to the standard IEC 62471:2006 (photo biological safety of lamps and lamp systems). Within the risk grouping system of this IEC standard, the device specified in this data sheet falls into **exempt risk group - Exempt**.

Subcomponents of this device contain, in addition to other substances, metal filled materials including silver. Metal filled materials can be affected by environments that contain traces of aggressive substances. Therefore, we recommend that customers minimize device exposure to aggressive substances during storage, production, and use. Devices that showed visible discoloration when tested using the described tests above did show no performance deviations within failure limits during the stated test duration. Respective failure limits are described in the IEC60810.

For further application related information please visit <https://ams-osram.com/support/application-notes>

## Disclaimer

### Attention please!

The information describes the type of component and shall not be considered as assured characteristics. Terms of delivery and rights to change design reserved. Due to technical requirements components may contain dangerous substances.

For information on the types in question please contact our Sales Organization.

If printed or downloaded, please find the latest version on our website.

### Packing

Please use the recycling operators known to you. We can also help you – get in touch with your nearest sales office. By agreement we will take packing material back, if it is sorted. You must bear the costs of transport. For packing material that is returned to us unsorted or which we are not obliged to accept, we shall have to invoice you for any costs incurred.

### Product and functional safety devices/applications or medical devices/applications

Our components are not developed, constructed or tested for the application as safety relevant component or for the application in medical devices.

Our products are not qualified at module and system level for such application.

In case buyer – or customer supplied by buyer – considers using our components in product safety devices/ applications or medical devices/applications, buyer and/or customer has to inform our local sales partner immediately and we and buyer and /or customer will analyze and coordinate the customer-specific request between us and buyer and/or customer.

---

## Glossary

- 1) **Radiant intensity:** Measured at a solid angle of  $\Omega = 0.01$  sr
- 2) **Brightness:** The brightness values are measured with a tolerance of  $\pm 11\%$ .
- 3) **Reverse Operation:** This product is intended to be operated applying a forward current within the specified range. Applying any continuous reverse bias or forward bias below the voltage range of light emission shall be avoided because it may cause migration which can change the electro-optical characteristics or damage the LED.
- 4) **Wavelength:** The wavelengths are measured with a tolerance of  $\pm 1$  nm.
- 5) **Forward Voltage:** The forward voltages are measured with a tolerance of  $\pm 0.1$  V.
- 6) **Total radiant flux:** Measured with integrating sphere.
- 7) **Thermal resistance:** junction - soldering point, of the device only, mounted on an ideal heatsink (e.g. metal block)
- 8) **Typical Values:** Due to the special conditions of the manufacturing processes of semiconductor devices, the typical data or calculated correlations of technical parameters can only reflect statistical figures. These do not necessarily correspond to the actual parameters of each single product, which could differ from the typical data and calculated correlations or the typical characteristic line. If requested, e.g. because of technical improvements, these typ. data will be changed without any further notice.
- 9) **Testing temperature:** TA = 25°C (unless otherwise specified)
- 10) **Tolerance of Measure:** Unless otherwise noted in drawing, tolerances are specified with  $\pm 0.1$  and dimensions are specified in mm.
- 11) **Tape and Reel:** All dimensions and tolerances are specified acc. IEC 60286-3 and specified in mm.

---

## Revision History

Version	Date	Change
1.0	2019-09-05	Description Ordering Information Maximum Ratings Characteristics Electro - Optical Characteristics (Diagrams)
1.1	2020-08-26	Schematic Transportation Box Dimensions of Transportation Box
1.2	2023-01-13	Characteristics
1.3	2023-09-28	Ordering Information Dimensional Drawing Further Information Electro - Optical Characteristics (Diagrams)

---



EU RoHS and China RoHS compliant product

此产品符合欧盟 RoHS 指令的要求；  
按照中国的相关法规和标准，  
不含有毒有害物质或元素。

**Published by ams-OSRAM AG**

Tobelbader Strasse 30, 8141 Premstaetten, Austria

Phone +43 3136 500-0

[ams-osram.com](http://ams-osram.com)

© All rights reserved

**am** 

**OSRAM**